

# Tab Contacts

for the Automotive Industry

# INNOVATIVE TECHNOLOGIES

TE Connectivity (TE) is a leader in automotive connectivity and sensor technology. Our engineers are always working to meet complex requirements. We connect nearly every electronic function in the vehicle - from alternative power systems to infotainment and sensor technologies. Our technologies withstand harsh environments and tolerate high temperature, vibration, shock, pressure and long-life in electronic control systems.



## INTERCONNECTION SYSTEMS

Our electrical and electronic interconnection products and solutions are used to electrically and mechanically connect wires and cables, printed circuit boards, integrated circuit packages, batteries and more.



## CABLE ASSEMBLIES

TE is your partner for vehicle-specific cable assemblies. We offer research and development capabilities, prototypes and samples, as well as manufacturing facilities.



## HYBRID & ELECTRIC MOBILITY SOLUTIONS

Our technologies leverage decades of innovation and experience with high-voltage transmission and distribution. Our hybrid and electric mobility solutions include a complete line of connectors, terminals, sensors, cable assemblies, contactors, and battery connection protection to help safeguard the flow of power in hybrid and electric vehicles. Connection after connection, you can count on TE for smaller, greener, lighter and smarter solutions you can trust.



## SENSOR SOLUTIONS

Data is critical for making vehicles safer, greener, smarter and more connected. Customers rely on our sensor technology to provide data for control, adaptation and response of vehicle functions and features that increase safety, comfort, efficiency, and more. We collaborate to provide solutions for demanding and harsh applications such as automated transmissions, engines, chassis, clutch, brake and exhaust. Our products can be found in vehicles traveling the world's roads and highways.





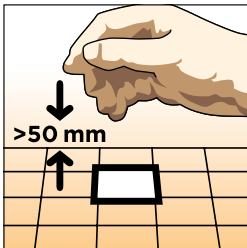
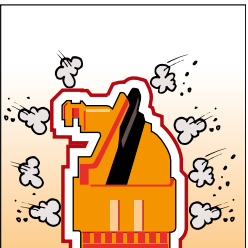
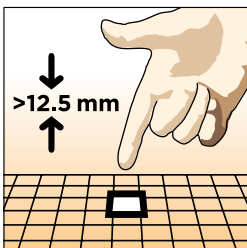
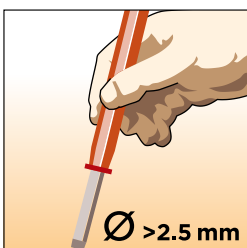
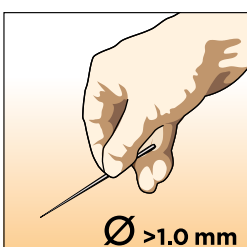
## INFOTAINMENT


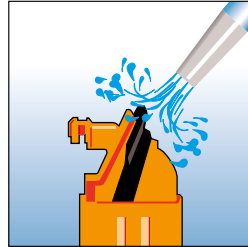
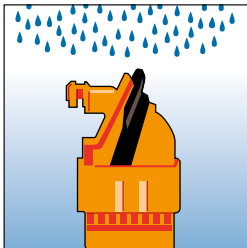

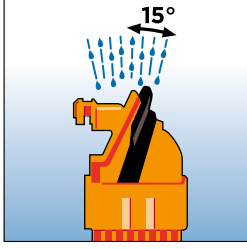
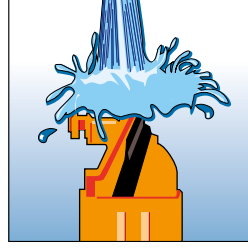
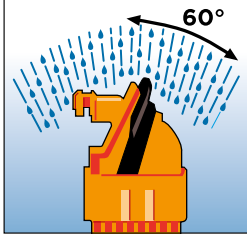
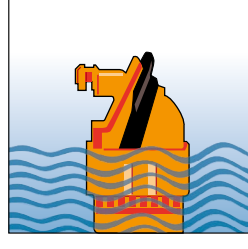
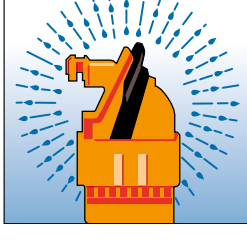
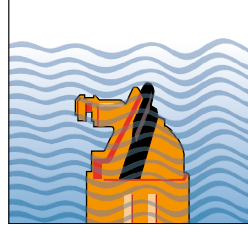
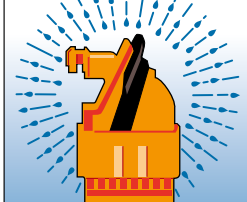

Our wide range of infotainment solutions are ideal for consumer port connections, high data rate applications, next-generation harness architecture, board-to-board connections and vehicle-to-vehicle communication.



## RELAYS

From passenger comfort and infotainment to higher DC voltages and power levels to harsh environments, our relays and contactors provide critical switching functions in multiple vehicle applications. With increased contact gaps and other key design features, our relays are ideal for harsh environments such as shock and vibration.

1st Digit	Against Foreign Objects (incl. Dust)	1st Digit	Against Foreign Objects (incl. Dust)
0	 <p>Not protected.</p>	5K	 <p>Dust protected.</p>
1	 <p>Protected against solid objects greater than 50 mm (ex. back of hand).</p>	6K	 <p>Dust tight.</p>
2	 <p>Protected against solid objects greater than 12.5 mm (ex. finger).</p>		
3	 <p>Protected against solid objects greater than 2.5 mm (ex. tool).</p>		
4	 <p>Protected against solid objects greater than 1.0 mm (ex. wire).</p>		

2nd Digit	Against Water	2nd Digit	Against Water
0	 <p>Not protected.</p>	5	 <p>Protected against jetting water.</p>
1	 <p>Protected against vertically dripping water.</p>	6	 <p>Protected against powerfully jetting water.</p>
2	 <p>Protected against dripping water when tilted up to 15°.</p>	6K	 <p>Protected against powerfully jetting water with increased pressure (Automotive).</p>
3	 <p>Protected against spraying water (up to 60° inclination).</p>	7	 <p>Protected against the temporary effects of immersion up to 1 meter.</p>
4	 <p>Protected against splashing water.</p>	8	 <p>Protected against continuous submersion agreed with customer, but more severe than code 7.</p>
4K	 <p>Protected against splashing water with increased pressure.</p>	9K	 <p>Protected against high-pressure/steam-jet cleaning (Automotive).</p>

# Good Crimp Quality

<p>Bellmouth permissible</p> <p>Bellmouth must always be present</p> <p>Cut-off tab present</p>	<p>F-CRIMP</p>	<p>Crimp barrel closed</p> <p>Insulation is securely held</p>
<p>Insulation visible</p> <p>Conductor visible</p> <p>Locking lances and terminal body not deformed</p>	<p>OVERLAP CRIMP</p>	<p>Crimp legs overlap</p> <p>Insulation is securely held</p>
<p>Anvil imprint symmetrical</p>	<p>WRAP OVER CRIMP</p>	<p>Crimp legs must pass each other</p> <p>Insulation is securely held</p>
<p>Correct selection</p> <p><b>of wire, terminal and applicator</b></p> <p>Crimp barrel is closed, legs support each other, sufficient gap between legs and bottom of crimp, all strands are equally distributed and deformed</p>		

## Test

<p>WIRE CRIMP</p>	<p>Crimp heights and tolerances</p> <p>For crimp height tolerances for any given contact, please refer to the relevant application specification.</p> <p><b>Examples</b></p> <table border="1"> <thead> <tr> <th>Contact</th> <th>P/N</th> <th>Wire Range</th> <th>Tolerance</th> <th>Spec.</th> </tr> </thead> <tbody> <tr> <td>JJPT</td> <td>927775</td> <td>0.50-1.00 mm<sup>2</sup></td> <td>±0.05 mm</td> <td>114-18050</td> </tr> <tr> <td>JPT</td> <td>927773</td> <td>1.50-2.50 mm<sup>2</sup></td> <td>±0.05 mm</td> <td>114-18050</td> </tr> <tr> <td>MQS</td> <td>962885</td> <td>0.20-0.50 mm<sup>2</sup></td> <td>±0.03 mm</td> <td>114-18025</td> </tr> </tbody> </table>	Contact	P/N	Wire Range	Tolerance	Spec.	JJPT	927775	0.50-1.00 mm <sup>2</sup>	±0.05 mm	114-18050	JPT	927773	1.50-2.50 mm <sup>2</sup>	±0.05 mm	114-18050	MQS	962885	0.20-0.50 mm <sup>2</sup>	±0.03 mm	114-18025	<p>WIRE CRIMP</p>
Contact	P/N	Wire Range	Tolerance	Spec.																		
JJPT	927775	0.50-1.00 mm <sup>2</sup>	±0.05 mm	114-18050																		
JPT	927773	1.50-2.50 mm <sup>2</sup>	±0.05 mm	114-18050																		
MQS	962885	0.20-0.50 mm <sup>2</sup>	±0.03 mm	114-18025																		
<p>INSULATION CRIMP</p>	<p>Wire crimp without conductor</p> <p>Insulation must be securely held after bend test (one bend cycle)</p>	<p>Digital crimp height micrometer (0.001 mm increments) according to DIN ISO 9001 Part number: 547203-1</p>																				

# Incorrect Crimp Quality

<p>Terminal body damaged</p>	<p>F-CRIMP</p>	<p>Crimp legs are not closed</p> <p>Insulation is pierced</p>
<p>Single core crimped on terminal</p>	<p>INSULATION CRIMP OVERLAP CRIMP</p>	<p>Crimp legs do not overlap</p> <p>Insulation is pierced</p>
<p>Terminal twisted</p>	<p>WRAP OVER CRIMP</p>	<p>Insulation is not securely held</p> <p>Insulation is over crimped</p>
<p>Cut off tab too long</p>	<p>Conductor brush protrudes into terminal body</p> <p>Insulation inside the wire crimp</p>	
<p>Crimp barrel distorted</p>	<p>Wire bent</p>	
<p>Terminal bent</p>	<p>Terminal bent</p>	

Correct  
Incorrect  
Test

At TE Connectivity, we support your RoHS requirements. We've assessed more than 1.5 million end items/components for RoHS compliance, and issued new part numbers where any change was required to eliminate the restricted materials. Part numbers in this catalog are identified as:

### **RoHS Compliant**

Part numbers in this catalog are RoHS Compliant, unless marked otherwise. These products comply with European Union Directive 2002/95/EC as amended 1 January 2006 that restricts the use of lead, mercury, cadmium, hexavalent chromium, PBB, and PBDE in certain electrical and electronic products sold into the EU as of 1 July 2006.

Note: For purposes of this Catalog, included within the definition of RoHS Compliant are products that are clearly "Out of Scope" of the RoHS Directive such as hand tools and other non-electrical accessories.

### **Non-RoHS Compliant**

These part numbers are identified with a "t" symbol. These products do not comply with the material restrictions of the European Union Directive 2002/95/EC.

### **5 of 6 Compliant**

A "l" symbol identifies these part numbers. These products do not fully comply with the European Union Directive 2002/95/EC because they contain lead in solderable interfaces (they do not contain any of the other five restricted substances above allowable limits). However, these products may be suitable for use in RoHS applications where there is an application-based exception for lead in solders, such as the server, storage, or networking infrastructure exemption.

Note: Information regarding RoHS compliance is provided based on reasonable inquiry of our suppliers and represents our current actual knowledge based on the information provided by our suppliers. This information is subject to change. For latest compliance status, refer to our website referenced below. So whatever your questions when it comes to RoHS, we've got the answers at <http://www.TE.com/customersupport/rohssupportcenter/>

### **Getting the information you need**

Our comprehensive on-line RoHS Customer Support Center provides a forum to answer your questions and support your RoHS needs. A RoHS FAQ (Frequently Asked Questions) is available with links to more detailed information. You can also submit RoHS questions and receive a response within 24 hours during a normal work week. The Support Center also provides:

- Cross-Reference from Non-compliant to Compliant Products
- Ability to browse RoHS Compliant Products in our on-line catalog:  
[www.TE.com/commerce/alt/RohsAltHome.do](http://www.TE.com/commerce/alt/RohsAltHome.do)
- Downloadable Technical Data Customer Information Presentation
- More detailed information regarding the definitions used above



**Conversion Tables**  
**AWG Conversion Table (Average Value)**

AWG Code	Diameter (Inch)	Diameter (mm)	F (mm <sup>2</sup> )
000000	0.5800	14.733	170.0
00000	0.5165	13.13	135.0
0000	0.4600	11.684	103.8
000	0.4096	10.40	79.0
00	0.3648	9.27	67.5
0	0.3249	8.25	53.4
1	0.2893	7.34	42.2
2	0.2576	6.55	33.7
3	0.2294	5.82	26.6
4	0.2043	5.18	21.0
5	0.1819	4.62	16.9
6	0.1620	4.115	13.25
7	0.1443	3.66	10.25
8	0.1285	3.26	8.34
9	0.1144	2.90	6.6
10	0.1019	2.59	5.27
11	0.0907	2.30	4.15
12	0.0808	2.05	3.3
13	0.0720	1.83	2.63
14	0.0641	1.63	2.08
15	0.0571	1.45	1.65
16	0.0508	1.29	1.305
17	0.0453	1.14	1.01
18	0.0403	1.02	0.79
19	0.0359	0.91	0.65
20	0.0320	0.81	0.51
21	0.0285	0.72	0.407
22	0.0253	0.64	0.32
23	0.0226	0.57	0.255
24	0.0201	0.51	0.205
25	0.0179	0.455	0.162
26	0.0159	0.40	0.125
27	0.0142	0.36	0.102
28	0.0126	0.320	0.08
29	0.0113	0.287	0.0646
30	0.0100	0.254	0.0516
31	0.0089	0.226	0.04
32	0.0080	0.203	0.0324
33	0.0071	0.180	0.0255
34	0.0063	0.160	0.02
35	0.0056	0.142	0.0158
36	0.0050	0.127	0.0127
37	0.0045	0.114	0.01
38	0.0040	0.101	0.008
39	0.0035	0.089	0.0062
40	0.0031	0.079	0.0049
41	0.0028	0.071	0.00395
42	0.0025	0.064	0.00321
43	0.0022	0.056	0.00246
44	0.00198	0.050	0.00196
45	0.00176	0.045	
46	0.00157	0.040	
47	0.00140	0.036	
48	0.00124	0.031	
49	0.00110	0.028	
50	0.00099	0.025	

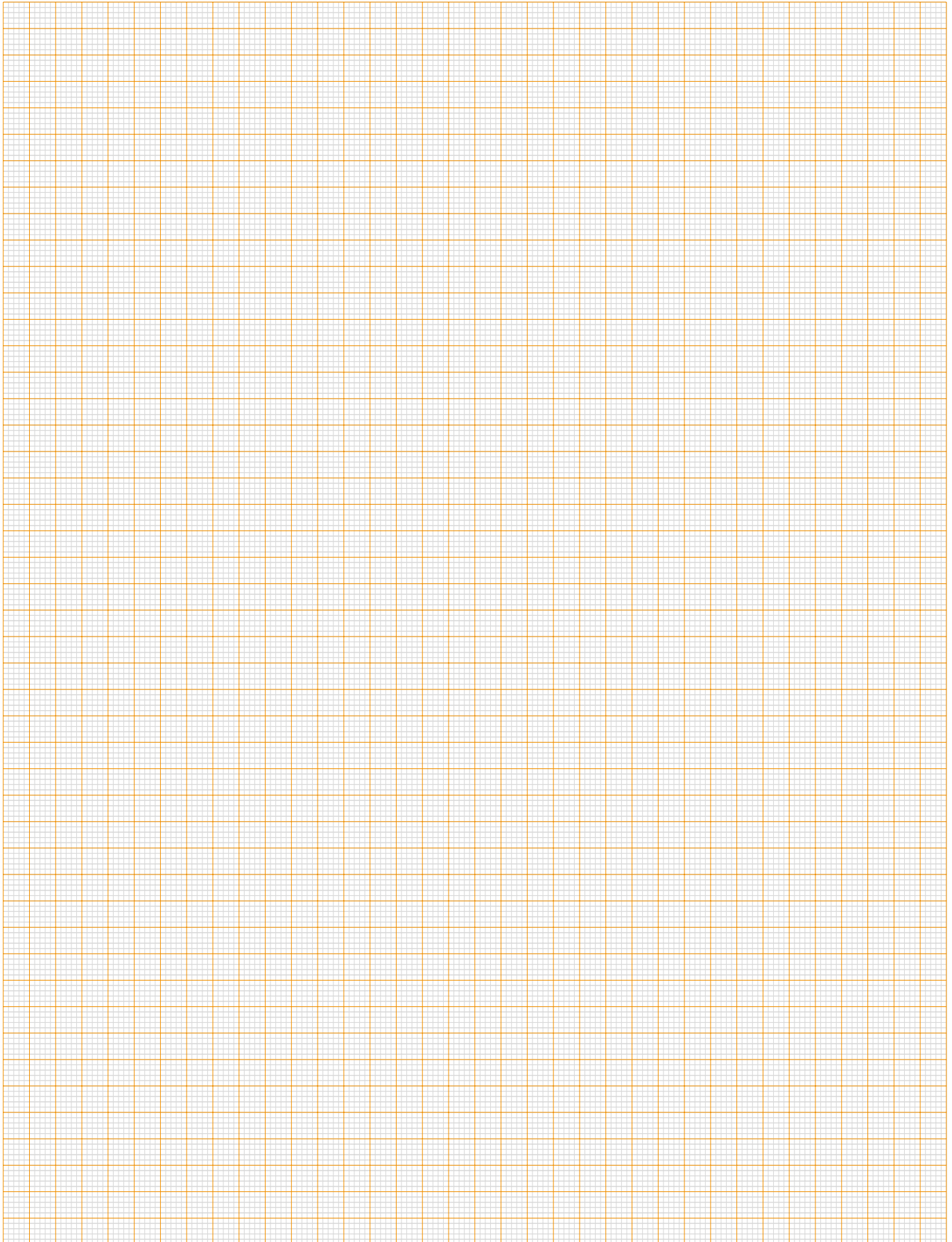
Remark: Starting from 0.03 mm<sup>2</sup> (AWG 32) a wire can be crimped.

**Tab Contacts**  
for the Automotive Industry

	Page	Powertrain Systems	Safety & Security Systems	Convenience	Driver Information	Body & Chassis Systems
Introduction	1					
<b>0.50 mm Tab Contacts</b>	<b>2</b>					
Standard Contacts with 0.5 mm Tab Width	2		•	•	•	
<b>0.63 and 0.80 mm Tab Contacts</b>	<b>3 - 5</b>					
Standard Contacts with 0.63 mm Tab Width	3		•	•	•	
Contacts with Single Wire Sealing System, 0.63 mm Tab Width	4		•	•	•	
Standard Contacts with 0.80 mm Tab Width	5		•	•	•	
<b>1.0, 1.2 and 1.5 mm Tab Contacts</b>	<b>6 - 10</b>					
Standard Contacts with 1.0 mm Tab Width	6		•	•	•	
Standard Contacts with 1.2 mm Tab Width	7		•	•	•	
Standard Contacts with 1.5 mm Tab Width	8		•	•	•	
Contacts with Single Wire Sealing System, 1.2 mm Tab Width	9		•	•	•	
Contacts with Single Wire Sealing System, 1.5 mm Tab Width	10		•	•	•	
<b>1.6 and 1.8 mm Tab Contacts</b>	<b>11 - 13</b>					
Standard Contacts with 1.6 mm Tab Width	11		•	•	•	
Contacts with Single Wire Sealing System, 1.6 mm Tab Width	12		•	•	•	
Contacts with Single Wire Sealing System, 1.8 mm Tab Width	13		•	•	•	
<b>2.8 mm Tab Contacts</b>	<b>14 - 17</b>					
Standard Contacts with 2.8 mm Tab Width	14 - 15		•	•	•	
Contacts with Single Wire Sealing System, 2.8 mm Tab Width	16 - 17		•	•	•	

**Tab Contacts**  
for the Automotive Industry

	Page	Powertrain Systems	Safety & Security Systems	Convenience	Driver Information	Body & Chassis Systems
<b>4.8, 5.2, 5.8 and 6.3 mm Tab Contacts</b>	<b>18 - 24</b>					
Standard Contacts with 4.8 mm Tab Width	18		•	•	•	
Standard Contacts with 5.2 mm Tab Width	19		•	•	•	
Standard Contacts with 5.8 mm Tab Width	20		•	•	•	
Contacts with Single Wire Sealing System, 4.8 mm Tab Width	21		•	•	•	
Contacts with Single Wire Sealing System, 5.2 mm Tab Width	22		•	•	•	
Contacts with Single Wire Sealing System, 5.8 mm Tab Width	23		•	•	•	
Contacts with Single Wire Sealing System, 6.3 mm Tab Width	24		•	•	•	
<b>8.0 and 9.5 mm Tab Contacts</b>	<b>25 - 27</b>					
Standard Contacts with 9.5 mm Tab Width	25		•	•	•	
Contacts with Single Wire Sealing System, 8.0 mm Tab Width	26		•	•	•	
Contacts with Single Wire Sealing System, 9.5 mm Tab Width	27		•	•	•	
<b>1.5 and 2.5 mm Round Tab Contacts</b>	<b>28 - 30</b>					
Standard Contacts with 1.5 mm Round Tab	28		•	•	•	
Contacts with Single Wire Sealing System, 1.5 mm Round Tab	29		•	•	•	
Contacts with Single Wire Sealing System, 2.5 mm Round Tab	30		•	•	•	
<b>Application Tooling</b>	<b>31</b>					
<b>Numerical Index</b>	<b>32 - 33</b>					
<b>TE Connectivity online</b>	<b>32 - 33</b>					
<b>Global Contacts</b>	<b>35</b>					
<b>Imprint</b>	<b>35</b>					



#### POWERTRAIN SYSTEMS



#### SAFETY & SECURITY SYSTEMS



#### CONVENIENCE



#### DRIVER INFORMATION



#### BODY & CHASSIS SYSTEMS



## Tab Contacts

for the Automotive Industry

### INTRODUCTION

Every day, engineers around the world are challenged to find connectivity solutions for either wire-to-wire or wire-to-board applications.

These solutions are driven by key terminal characteristics such as wire size, ambient temperature, processing temperature, space requirements. Therefore the tab dimension is decisive for secure connection.

At TE Connectivity, we have created the following pages to support market requirements and offer engineers the best possible solutions. Finding the correct tab is fundamental to securing enhanced and robust connectivity.

We have a broad portfolio of tab products. The following pages provide you with over 260 products among 14 different dimensions with synergistic links leading you to the product family to solve your connection problem with best possible combination.

For further assistance please contact your TE Sales Engineer.

#### PLEASE NOTE

The current carrying capacity provided on the following pages is for information only. Please refer to the related product specification for detailed information.

#### APPLICATION TOOLING

To get the correct applicator version (dash no.) and/or where a terminal and applicator is to be used on a seal-stripper-crimper terminator, please contact your local TE Connectivity representative for clarification of applicator requirements.

Hand Tools are designed for loose piece terminals only! Please contact your local TE Connectivity representative to identify the correct loose piece terminals. Standard extraction tool is an option for standard applications. The right one is depending of the assembly of the contacts and housing.

Special installation of the applicator (e.g. into a stripper seal crimp terminating unit) or special requirements about the wire crimp width (e.g. crimp width .050) have to be clarified individually. Please contact the Tooling Assistance Center ([TAC-EMEA@te.com](mailto:TAC-EMEA@te.com)).

## Tab Contacts for the Automotive Industry

### 0.50 mm Tab Contacts

#### Standard Contacts with 0.50 mm Tab Width



#### Technical Features

##### Contact Material

CuSn

##### Surface Contact Area

Tin plated

Silver plated

##### Wire Size Range

0.13 – 0.35 mm<sup>2</sup>

##### Current Carrying Capacity

Up to 3 A at 90 °C

##### Temperature Range

–40 °C ... +105 °C (tin plated)

–40 °C ... +170 °C (silver plated)

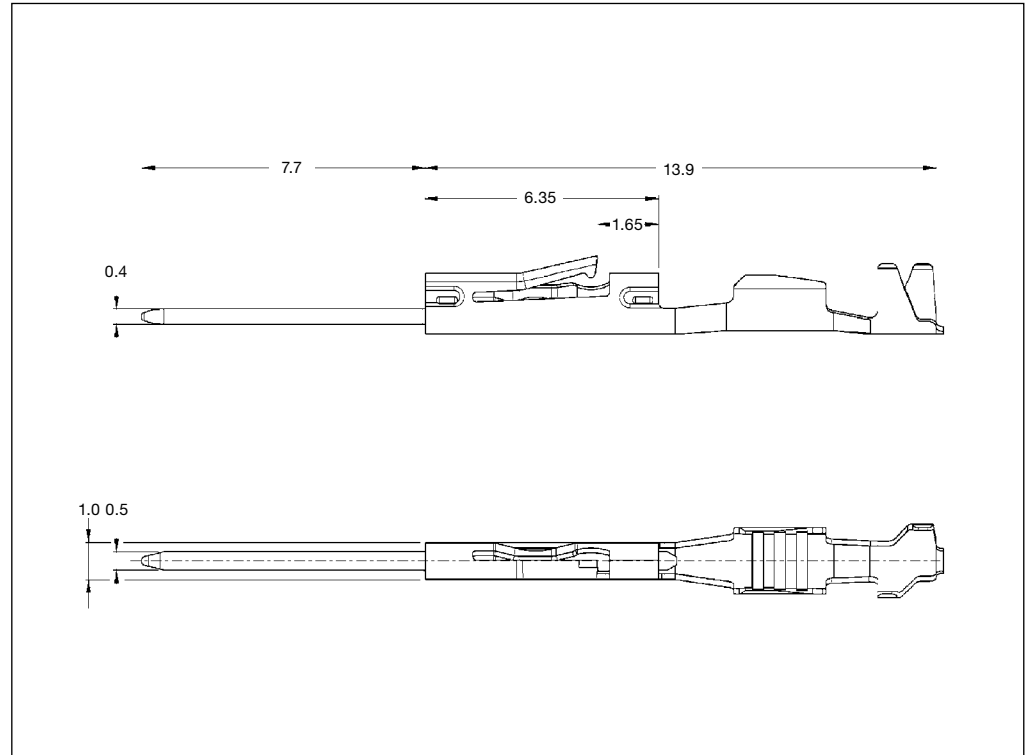
##### Cycles

20 tin plated

50 silver plated

##### Contact Dimension

0.40 x 0.50 mm



**Extraction Tool**  
1355968-1

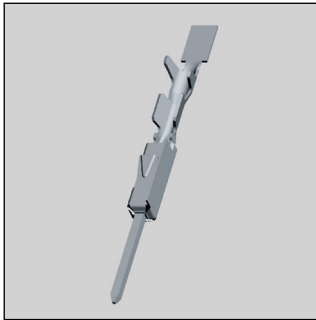
**Product Drawing**  
2236905

**Product Specification:**  
108-94099

**Application Specification**  
114-94288

#### Standard Contacts with 0.50 mm Tab Width

Wire Size Range (mm <sup>2</sup> )	Insulation Diameter (mm)	Material and Finish	Part Number	Applicator	Hand Tool	Mating Receptacle Contact
0.13 – 0.17	0.85 – 1.10	CuSn8, tin plated	2236905-1	2266620-2	4-1579014-3	1-1703930-2
		CuSn8, silver plated	2236905-3			1-1703930-1
0.35	1.20 – 1.30	CuSn8, tin plated	1-2236905-1	2266622-x	4-1579014-3	2-1703930-2
		CuSn8, silver plated	1-2236905-3			2-1703930-1



**Technical Features**

**Contact Material**

CuSn or CuNiSi

**Contact Finish**

Pre-tin plated, silver plated  
or gold plated

**Wire Size Range**

0.08 - 0.75 mm<sup>2</sup>

**Current Carrying Capacity**

Up to 7.5 A at 90 °C

**Temperature Range**

-40 °C ... +130 °C (tin plated)  
-40 °C ... +140 °C (silver plated)  
-40 °C ... +150 °C (gold plated)

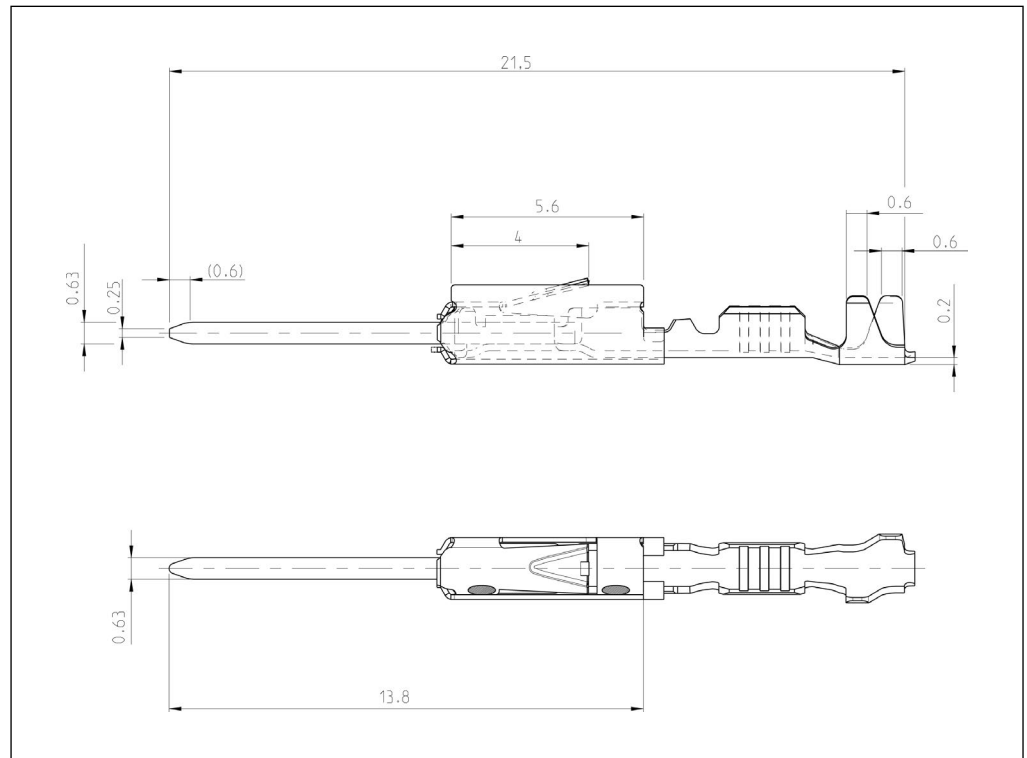
**Mating Cycles**

20 tin plated  
20 silver plated  
100 gold plated

**Contact Dimension**

0.63 x 0.63 mm

**Standard Contacts with 0.63 mm Tab Width**



**Extraction Tool**  
6-1579007-1

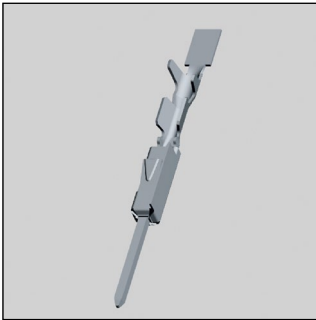
**Product Group Drawing**  
929453

**Product Specification**  
108-18030

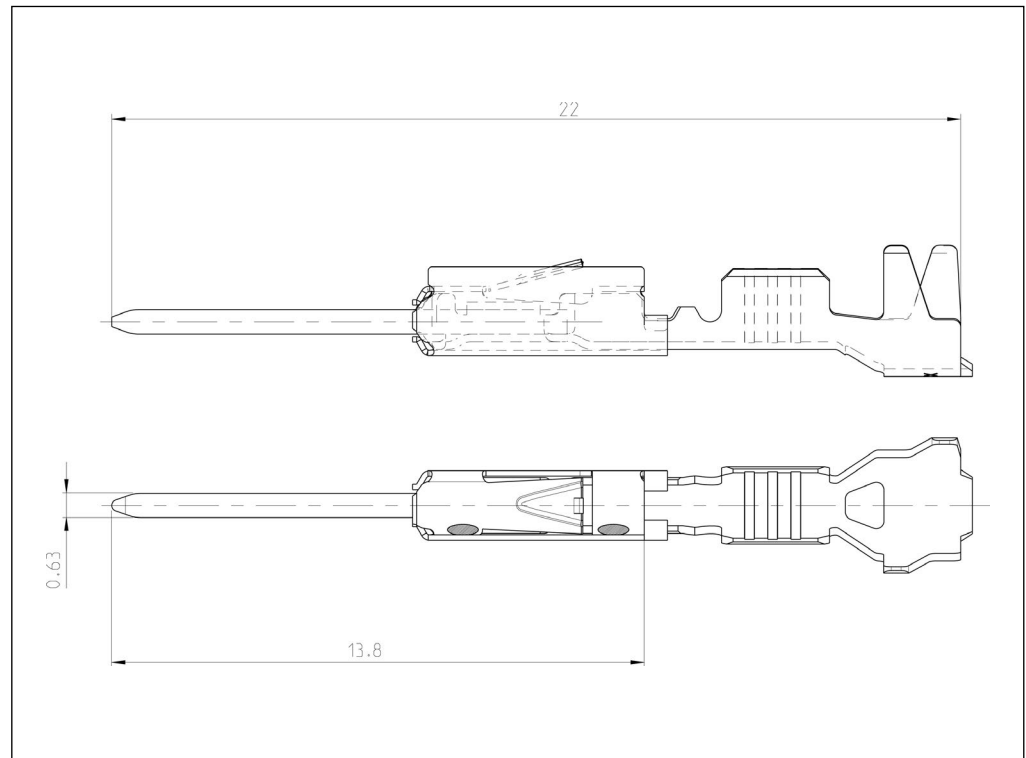
**Application Specification**  
114-18021

**Standard Contacts with 0.63 mm Tab Width**

Wire Size Range (mm <sup>2</sup> )	Insulation Diameter (mm)		Material and Finish	Part Number	Applicator	Hand Tool or Die Set	Hand Tool Frame	Mating Receptacle Contact			
	FLK	FLR									
0.08-0.22		1.05-1.2	CuSn - Sn	1355719-1	2151265	5-1579001-2	539635-1	1355717-1			
			CuSn - Au	1355719-2				1355717-5			
0.13-0.17		0.85-1.05	CuSn - Sn	2141828-1	2151326	3-1579014-9		2141824-1			
			CuSn - Au	2141828-2				2141824-5			
			CuSn - Ag	2141828-3				2141824-6			
0.25-0.35		1.15-1.6	CuSn - Sn	6-928918-1	2151493	539682-2	539635-1	5-928999-1			
			CuSn - Au	6-928918-2				5-928999-5			
			CuSn - Sn	5-928918-1				2151867	3-1579001-5	539635-1	5-928999-1
			CuSn - Au	5-928918-2							5-928999-5
0.50-0.75		1.7-1.9	CuSn - Ag	6-928918-3	2151867	3-1579001-5	539635-1	5-928999-6			
			CuSn - Sn	5-963716-1				5-963715-1			
			CuSn - Au	5-963716-2				5-963715-5			
			CuSn - Ag	5-963716-3				5-963715-6			



**Contacts with Single Wire Sealing System with 0.63 mm Tab Width**



**Technical Features**

**Contact Material**

CuSn or CuNiSi

**Contact Finish**

Pre-tin plated, silver plated  
or gold plated

**Wire Size Range**

0.13 - 0.75 mm<sup>2</sup>

**Current Carrying Capacity:**

Up to 7.5 A at 80 °C

**Temperature Range**

-40 °C ... +130 °C (tin plated)  
-40 °C ... +140 °C (silver plated)  
-40 °C ... +150 °C (gold plated)

**Mating Cycles**

20 tin plated  
20 silver plated  
100 gold plated

**Contact Dimension**

0.63 x 0.63 mm

**Extraction Tool**  
6-1579007-1

**Product Group Drawing**  
929453

**Product Specification**  
108-18030

**Application Specification**  
114-18025

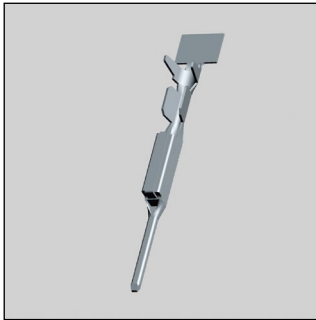
**Contacts with Single Wire Sealing System. 0.63 mm Tab Width**

Wire Size Range (mm <sup>2</sup> )	Insulation Diameter (mm)		Material and Finish	Part Number	Applicator	Hand Tool or Die Set	Hand Tool Frame	Mating Receptacle Contact
	FLK	FLR						
0.13-0.17		0.85-1.25	CuSn - Sn	2141830-1	2151328			2141826-1
			CuSn - Au	2141830-2				2141826-5
			CuSn - Ag	2141830-3				2141826-6
0.25-0.35		0.9-1.4	CuSn - Sn	5-962886-1	2151302	539685-2	539635-1	5-962885-1
			CuSn - Au	5-962886-2				5-962885-5
0.50-0.75		1.4-1.9	CuSn - Sn	5-965908-1	2151038	5-1579001-1	539635-1	5-965906-1
			CuSn - Au	5-965908-2				5-965906-5



## Tab Contacts for the Automotive Industry

### 0.63 and 0.80 mm Tab Contacts



#### Technical Features

**Contact Material**

CuZn

**Contact Finish**

Pre-tin plated

**Wire Size Range**

0.13 - 0.75 mm<sup>2</sup>

**Current Carrying Capacity**

Up to 9 A at 100 °C

**Temperature Range**

-40 °C ... +100 °C (tin plated)

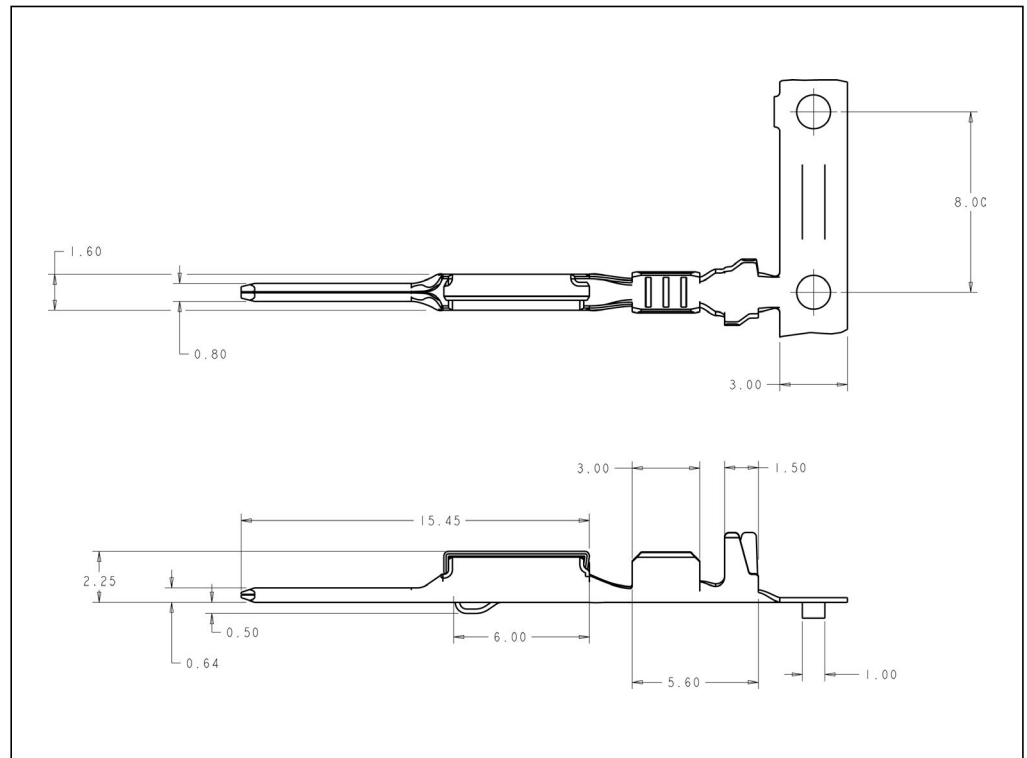
**Mating Cycles**

20 tin plated

**Contact Dimension**

0.64 x 0.80 mm

#### Standard Contacts with 0.80 mm Tab Width



**Extraction Tool**  
6-1579007-1

**Product Drawing**  
1924968

**Product Specification**  
108-2296-1

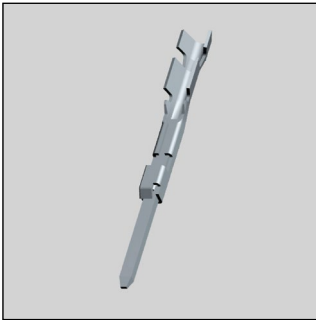
**Application Specification**  
114-13183

#### Standard Contacts with 0.80 mm Tab Width

Wire Size Range (mm <sup>2</sup> )	Insulation Diameter (mm)		Material and Finish	Part Number	Applicator	Hand Tool or Die Set	Mating Receptacle Contact
	FLK	FLR					
0.13		0.85-1.05	CuZn - Sn	1924968-5	Reverse Reel Dir.		2035170-5
				1924968-7	2151831		2035170-1
2x0.13		0.85-1.05	CuZn - Sn	1924968-6	Reverse Reel Dir.		2035170-5
0.35		1.10-1.40	CuZn - Sn	1924968-8	2266673		2035170-1
0.35-0.50		1.50-1.85	CuZn - Sn	1924968-1	Reverse Reel Dir.		2035170-5
				1924968-3	2151725	2063291-1	2035170-1
0.75		1.60-2.06	CuZn - Sn	1924968-2	Reverse Reel Dir.		2035170-6
				1924968-4	2151830	2063291-1	2035170-2

## Tab Contacts for the Automotive Industry

### 1.0, 1.2 and 1.5 mm Tab Contacts



#### Technical Features

**Contact Material**

Copper alloy

**Contact Finish**

Pre-tin plated, silver plated  
or gold plated

**Wire Size Range**

0.22- 0.75 mm<sup>2</sup>

**Current Carrying Capacity:**

Up to 7.5 A at 80 °C

**Temperature Range**

-40 °C ... +125 °C (tin plated)  
-40 °C ... +145 °C (silver plated)  
-40 °C ... +145 °C (gold plated)

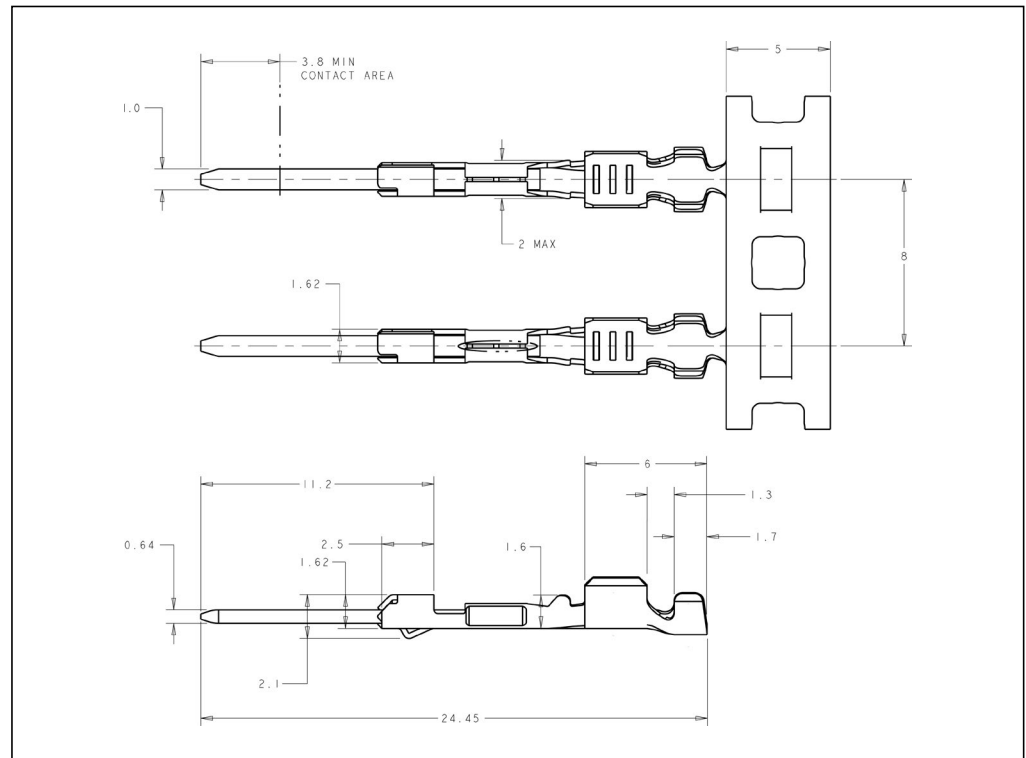
**Mating Cycles**

10 tin plated  
10 silver plated  
10 gold plated

**Contact Dimension**

0.64 x 1.00 mm

#### Standard Contacts with 1.0 mm Tab Width



**Extraction Tool**  
3-1579007-6

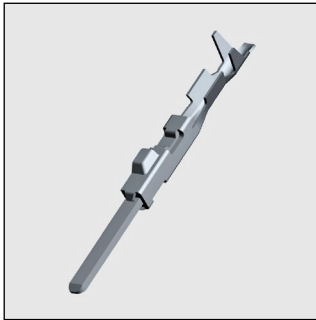
**Product Group Drawing**  
3-1419158-1

**Product Specification**  
-/-

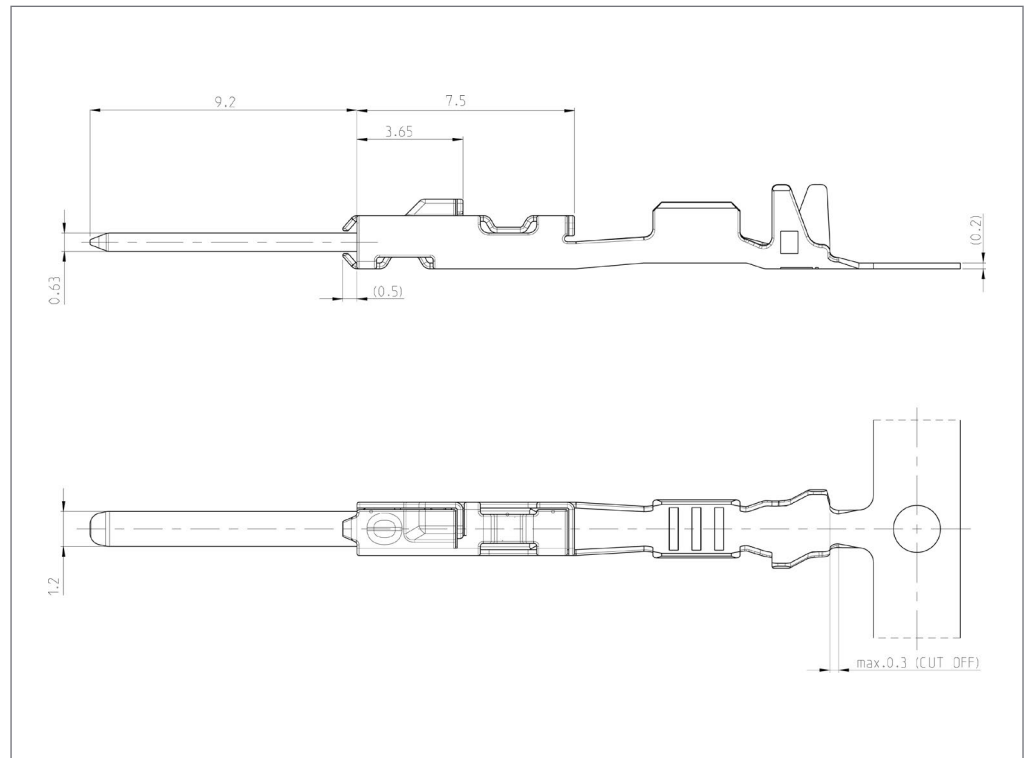
**Application Specification**  
114-13060

#### Standard Contacts with 1.0 mm Tab Width

Wire Size Range (mm <sup>2</sup> )	Insulation Diameter (mm)		Material and Finish	Part Number	Applicator	Hand Tool or Die Set	Mating Receptacle Contact
	FLK	FLR					
0.22-0.35	1.10-1.65		CuSn - Sn	1-1419158-6	N/A	6-1393462-4	1393367-1
				1438299-2	2151540		1393367-2
			CuSn - Au	3-1419158-1	N/A		1393364-1
				1438299-1	2151540		1393364-2
			CuSn - Ag	1438299-7	N/A		1393366-2
				1-1438299-0	2151540		
0.50-0.75	1.40-2.06		CuSn - Sn	2-1419158-5	N/A	6-1323462-5	1393365-2
				1438299-4	2151539		1393366-1
			CuSn - Au	2-1419158-3	N/A		1393366-1
				1438299-3	2151539		1393365-1
			CuSn - Ag	1438299-8	N/A		1393366-2
				1-1438299-1	2151539		



**Standard Contacts with 1.2 mm Tab Width**



**Technical Features**

**Contact Material**

CuSn, CuNiSi

**Contact Finish**

Pre-tin plated, silver plated  
or gold plated

**Wire Size Range**

0.13 - 1.50 mm<sup>2</sup>

**Current Carrying Capacity:**

Up to 18 A at 80 °C

**Temperature Range**

-40 °C ... +130 °C (tin plated)  
-40 °C ... +140 °C (silver plated)  
-40 °C ... +150 °C (gold plated)

**Mating Cycles**

10 tin plated  
20 silver plated  
25 gold plated

**Contact Dimension**

0.63 x 1.20 mm

**Extraction Tool**  
see table below

**Product Group Drawing**  
1418754  
1718398

**Product Specification**  
108-18782

**Application Specification**  
114-18464

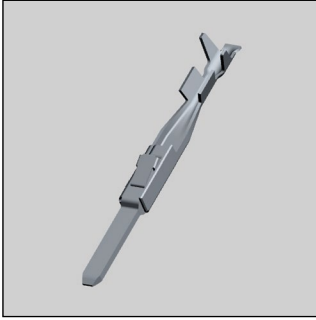
**Standard Contacts with 1.2 mm Tab Width**

Wire Size Range (mm <sup>2</sup> )	Insulation Diameter (mm)		Material and Finish	Part Number	Applicator	Hand Tool or Die Set	Hand Tool Frame	Standard Extraction Tool	Mating Receptacle Contact
	FLK	FLR							
0.13-0.22		0.85-1.20	CuSn - Sn	2141864-1	2151657			5-1579007-3	2141861-1
			CuSn - Au	2141864-2					2141861-2
			CuSn - Ag	2141864-3					2141861-3
0.25-0.35		1.10-1.75	CuSn - Sn	1718348-1 *)	2151042	4-1579001-3	539635-1	1579007-8	1534594-1
			CuSn - Au	1718348-2 *)					1534594-2
			CuSn - Sn	5-1418758-1	2151311	4-1579001-3		5-1579007-3	7-1452653-1
			CuSn - Au	5-1418758-2					7-1452653-2
			CuSn - Ag	5-1418758-3					7-1452653-3
			0.50-0.75		1.40-1.90	CuSn - Sn		1718350-1 *)	2151037
CuSn - Au	1718350-2 *)	1670144-2							
CuSn - Ag	1718350-3 *)	2151300				4-1579001-2	5-1579007-3	1670144-3	
CuSn - Sn	5-1418760-1							7-1452656-1	
CuSn - Au	5-1418760-2							7-1452656-2	
CuSn - Ag	5-1418760-3	7-1452656-3							
1.0-1.50		1.90-2.40	CuSn - Sn	1418762-1	2151479	4-1579001-1	5-1579007-3	7-1452659-1	
			CuSn - Au	1418762-2				7-1452659-2	
			CuSn - Ag	1418762-3				7-1452659-3	

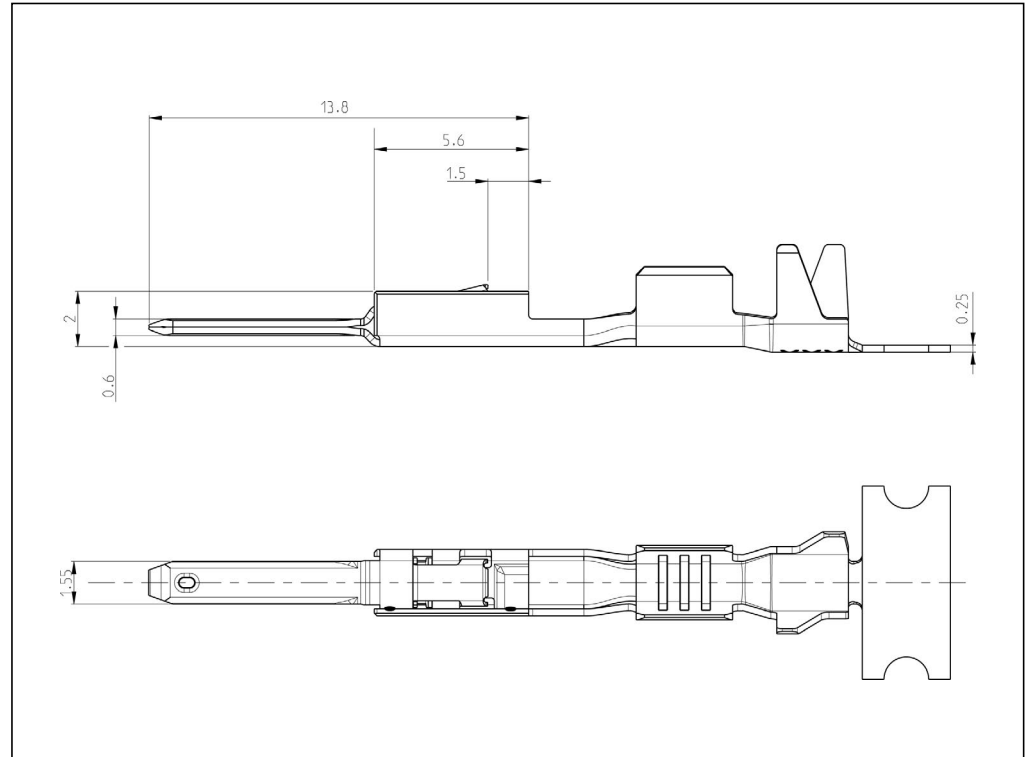
\*) Terminals with Clean Body Design

## Tab Contacts for the Automotive Industry

### 1.0, 1.2 and 1.5 mm Tab Contacts



#### Standard Contacts with 1.5 mm Tab Width



#### Technical Features

**Contact Material**

CuSn

**Contact Finish**

Pre-tin plated

**Wire Size Range**

0.35 - 1.50 mm<sup>2</sup>

**Current Carrying Capacity:**

Up to 7.5 A at 80 °C

**Temperature Range**

-40 °C ... +120 °C (tin plated)

**Mating Cycles**

20 tin plated

**Contact Dimension**

0.60 x 1.50 mm

**Extraction Tool**  
6-1579007-2

**Product Group Drawing**  
1452079

**Product Specification**  
108-18030

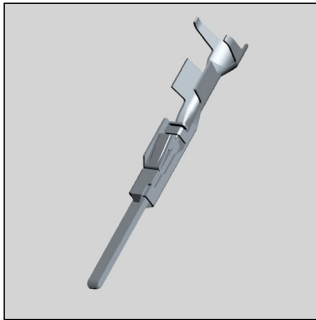
**Application Specification**  
114-18286

#### Standard Contacts with 1.5 mm Tab Width

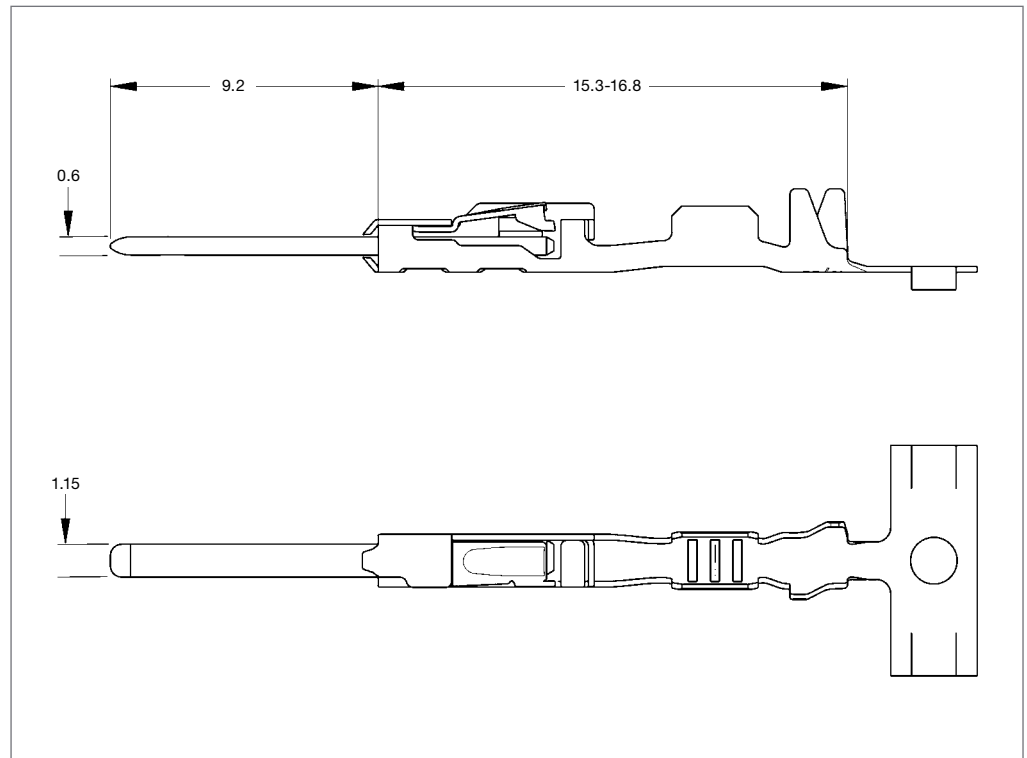
Wire Size Range (mm <sup>2</sup> )	Insulation Diameter (mm)		Material and Finish	Part Number	Applicator	Hand Tool or Die Set	Hand Tool Frame	Mating Receptacle Contact
	FLK	FLR						
0.35-0.50		1.10-1.60	CuSn - Sn	1-1452350-1	2151252	539692-2	539635-1	1355556-1
0.75-1.50		1.70-2.40	CuSn - Sn	1-1452058-1	2151066			1355553-1

## Tab Contacts for the Automotive Industry

### 1.0, 1.2 and 1.5 mm Tab Contacts



#### Contacts with Single Wire Sealing System with 1.2 mm Tab Width



#### Technical Features

##### Contact Material

CuSn, CuNiSi

##### Contact Finish

Pre-tin plated, silver plated  
or gold plated

##### Wire Size Range

0.13 - 1.50 mm<sup>2</sup>

##### Current Carrying Capacity:

Up to 18 A at 80 °C

##### Temperature Range

-40 °C ... +130 °C (tin plated)  
-40 °C ... +140 °C (silver plated)  
-40 °C ... +150 °C (gold plated)

##### Mating Cycles

10 tin plated  
20 silver plated  
25 gold plated

##### Contact Dimension

0.60 x 1.15 mm

**Extraction Tool**  
see table below

**Product Group Drawing**  
1418754  
1718398

**Product Specification**  
108-18782

**Application Specification**  
114-18464

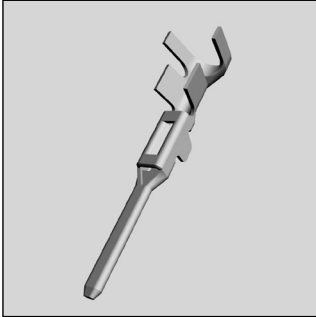
#### Contacts with Single Wire Sealing System with 1.2 mm Tab Width

Wire Size Range (mm <sup>2</sup> )	Insulation Diameter (mm)		Material and Finish	Part Number	Applicator	Hand Tool or Die Set	Hand Tool Frame	Standard Extraction Tool	Mating Receptacle Contact
	FLK	FLR							
0.13-0.22		0.85-1.20	CuSn - Sn	2141868-1	2151658			5-1579007-3	2141970-1
			CuSn - Au	2141868-2					2141970-2
			CuSn - Ag	2141868-3					2141970-3
0.25-0.35		1.10-1.75	CuSn - Sn	1718758-1	2151596	4-1579001-7	539635-1	5-1579007-3	7-1452665-1
			CuSn - Au	1718758-2					7-1452665-2
			CuSn - Ag	1718758-3					7-1452665-3
			CuSn - Ag	2141114-3 <sup>*)</sup>					1418844-3
0.50-0.75		1.40-1.90	CuSn - Sn	1718760-1	2151477	4-1579001-6	539635-1	5-1579007-3	7-1452668-1
			CuSn - Au	1718760-2					7-1452668-2
			CuSn - Ag	1718760-3					7-1452668-3
			CuSn - Ag	2141116-3 <sup>*)</sup>					1670146-3
1.0-1.50		1.90-2.40	CuSn - Sn	1718762-1	2151480	4-1579001-5	539635-1	5-1579007-3	7-1452671-1
			CuSn - Au	1718762-2					7-1452671-2
			CuSn - Ag	1718762-3					7-1452671-3
			CuSn - Ag	2177610-3 <sup>*)</sup>					1418850-3

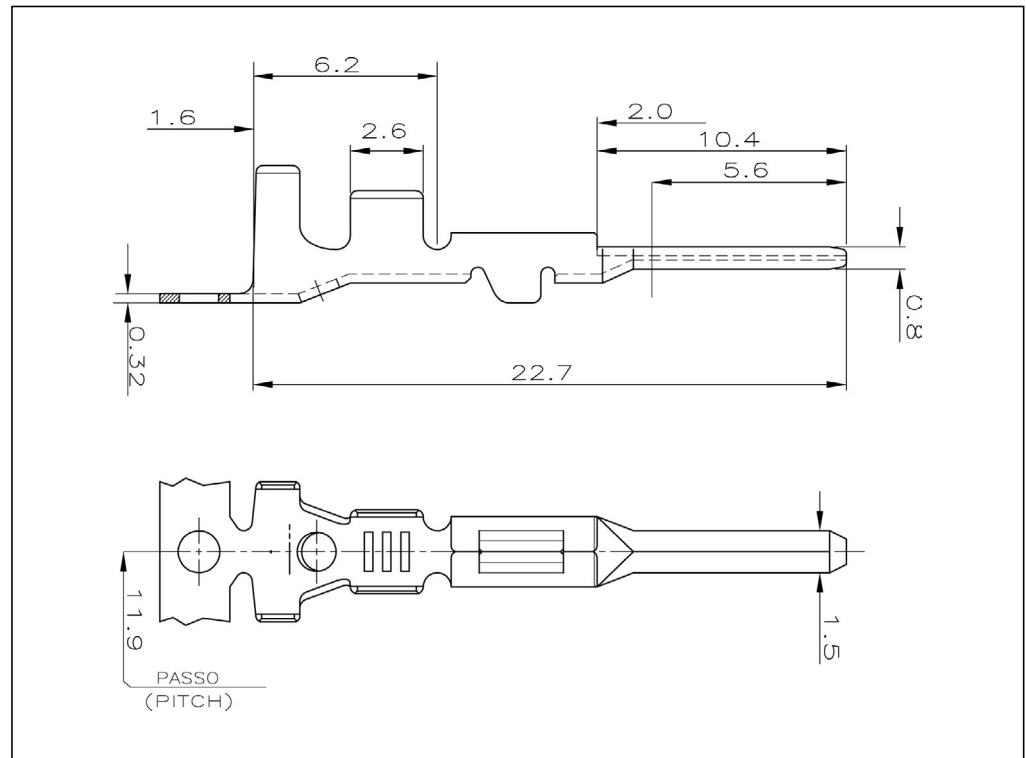
<sup>\*)</sup> Terminals with Clean Body Design

## Tab Contacts for the Automotive Industry

### 1.0, 1.2 and 1.5 mm Tab Width



#### Contacts with Single Wire Sealing System with 1.5 mm Tab Width



#### Technical Features

**Contact Material**

CuZn, CuSn

**Contact Finish**

Pre-tin plated, gold plated

**Wire Size Range**

0.35 - 2.50 mm<sup>2</sup>

**Current Carrying Capacity:**

Up to 14 A at 80 °C

**Temperature Range**

-40 °C ... +125 °C (tin plated)

-40 °C ... +150 °C (gold plated)

**Mating Cycles**

10 tin plated

20 gold plated

**Contact Dimension**

0.80 x 1.50 mm

**Extraction Tool**

9-1579007-1

**Product Drawing**

282404

282109

282465

**Product Specification**

108-20090

**Application Specification**

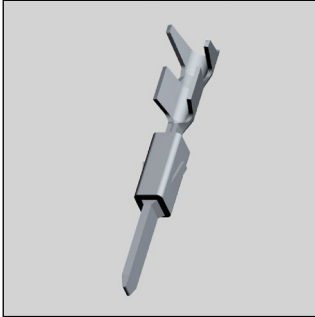
114-20045

#### Contacts with Single Wire Sealing System with 1.5 mm Tab Width

Wire Size Range (mm <sup>2</sup> )	Insulation Diameter (mm)		Material and Finish	Part Number	Applicator	Hand Tool or Die Set	Hand Tool Frame	Mating Receptacle Contact
	FLK	FLR						
0.35-0.50	1.45-2.20	1.2-1.6	CuZn - Sn	282404-1	2151855	539773-2	539635-1	282403-1
			CuZn - Au	282404-3				
0.75-1.50	2.40-3.35	1.7-2.4	CuZn - Sn	282109-1	2151204	539773-2	539635-1	282110-1
			CuZn - Au	282109-3				
			CuSn - Sn	282109-5				
1.5-2.5	3.15-3.80	2.2-3.3	CuZn - Sn	282465-1	2266253			282466-1

## Tab Contacts for the Automotive Industry

### 1.6 and 1.8 mm Tab Contacts



#### Technical Features

**Contact Material:**

CuSn4, CuFe2

**Contact Finish:**

Pre-tin plated, silver plated,  
or gold plated

**Wire Size Range:**

0.35 - 1.5 mm<sup>2</sup>

**Current Carrying Capacity**

Up to 10 A at 90 °C

**Temperature Range**

-40 °C ... +130 °C (tin plated)  
-40 °C ... +140 °C (silver plated)  
-40 °C ... +150 °C (gold plated)

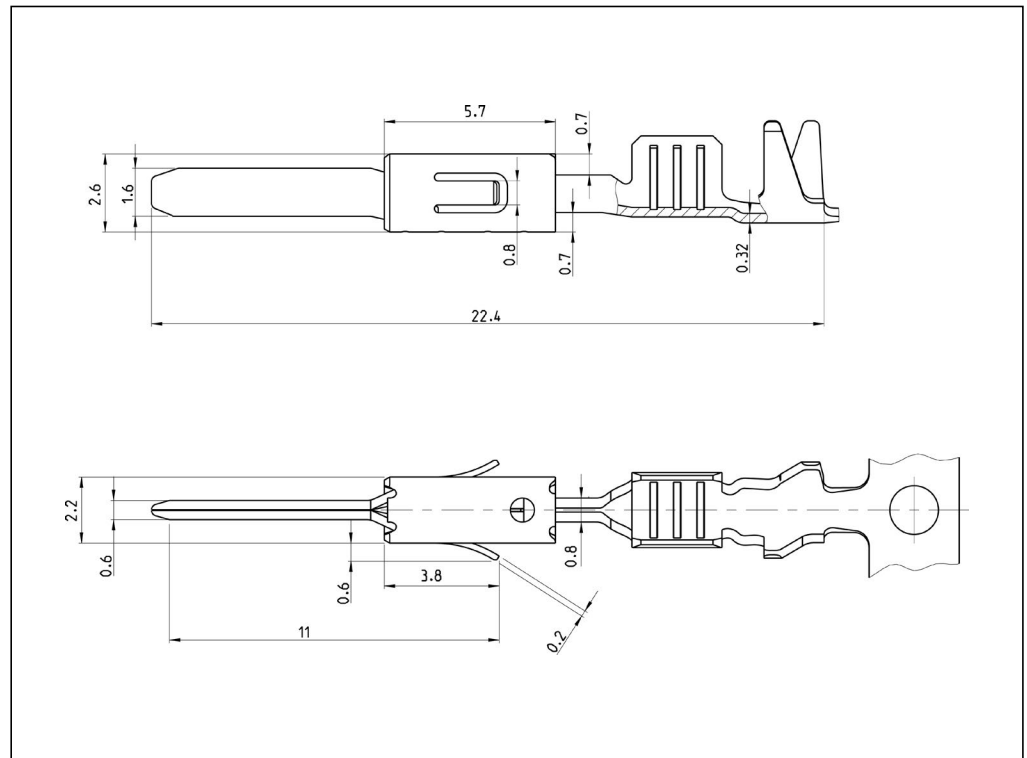
**Mating Cycles**

10 tin plated  
50 Ag plated  
100 gold plated

**Contact Dimension**

0.60 x 1.60 mm

#### Standard Contacts with 1.6 mm Tab Width



**Extraction Force**  
min. 2 N

**Product Group Drawing**  
1355055

**Product Specification**  
108-18331

**Extraction Tool**  
539960-1

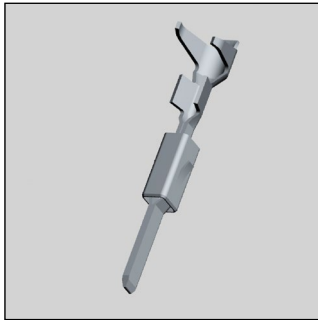
**Application Specification**  
114-18082

#### Standard Contacts with 1.6 mm Tab Width

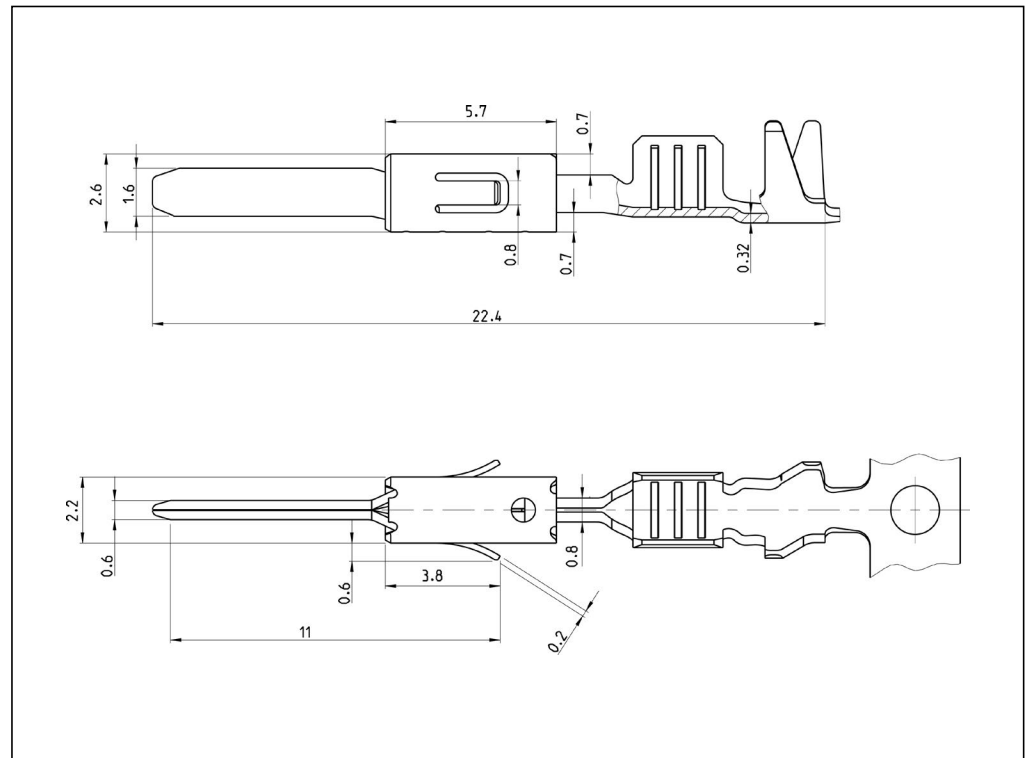
Wire Size Range (mm <sup>2</sup> )	Insulation Diameter (mm)		Material and Finish	Part Number	Applicator	Mating Receptacle Contact
	FLK	FLR				
0.35		1.15-1.60	CuFe2 - Sn	2141882-2	2151050	1564980-1
			CuSn4 - Au	2141882-3		1564980-2
0.2-0.35		1.15-1.60	CuSn4 - Ag	964265-5	2151050	N/A
0.5-1.0		1.4-2.10	CuFe2 - Sn	969079-2	2151481	1241374-1
			CuSn4 - Ag	964267-4	2151058	N/A
1.5		2.2-2.4	CuSn4 - Sn	1241846-1	2151061	1534334-1
			CuFe2 - Sn	1241846-2		
			CuSn4 - Ag	1241846-5		

## Tab Contacts for the Automotive Industry

### 1.6 and 1.8 mm Tab Contacts



#### Contacts with Single Wire Sealing System with 1.6 mm Tab Width



#### Technical Features

**Contact Material:**

CuSn4, CuFe2

**Contact Finish:**

Pre-tin plated, silver plated,  
or gold plated

**Wire Size Range:**

0.20 - 1.5 mm<sup>2</sup>

**Current Carrying Capacity**

Up to 10 A at 90 °C

**Temperature Range**

-40 °C ... +130 °C (tin plated)  
-40 °C ... +130 °C (silver plated)  
-40 °C ... +140 °C (gold plated)

**Mating Cycles**

10 tin plated  
50 Ag plated  
100 gold plated

**Contact Dimension**

0.60 x 1.60 mm

**Extraction Force**

min. 2 N

**Extraction Tool**

539960-1

**Product Group Drawing**

1355055

**Product Specification**

108-18331

**Application Specification**

114-18082

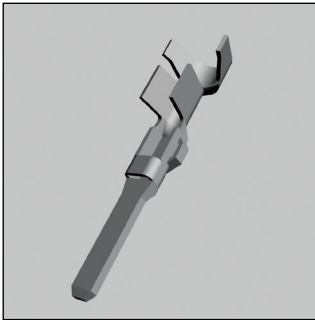
#### Contacts with Single Wire Sealing System with 1.6 mm Tab Width

Wire Size Range (mm <sup>2</sup> )	Insulation Diameter (mm)		Material and Finish	Part Number	Applicator	Hand Tool or Die Set	Hand Tool Frame	Mating Receptacle Contact
	FLK	FLR						
0.35		1.20-1.60	CuFe2 - Sn	2141884-2	2151056	539663-2	539635-1	1564324-2
			CuSn4 - Au	2141884-3				
			CuSn4 - Ag	2141884-5				
			CuFe2 - Ag	2-2141884-2				
0.2-0.5		1.20-1.60	CuFe2 - Sn	969028-2	2151056	539663-2	539635-1	1564324-1
			CuSn4 - Au	969028-3				1564324-2
			CuSn4 - Ag	969028-5				1564324-3
0.5-1.0		1.4-2.1	CuFe2 - Sn	964269-2	2151057	539663-2	539635-1	1241380-1
			CuSn4 - Au	964269-3				1241380-2
			CuSn4 - Ag	964269-5				1241380-3
			CuFe2 - Ag	2-964269-2				
1.5		2.2-2.4	CuFe2 - Sn	1703278-2	2151701			1418884-1
			CuSn4 - Ag	1703278-5				1418884-3

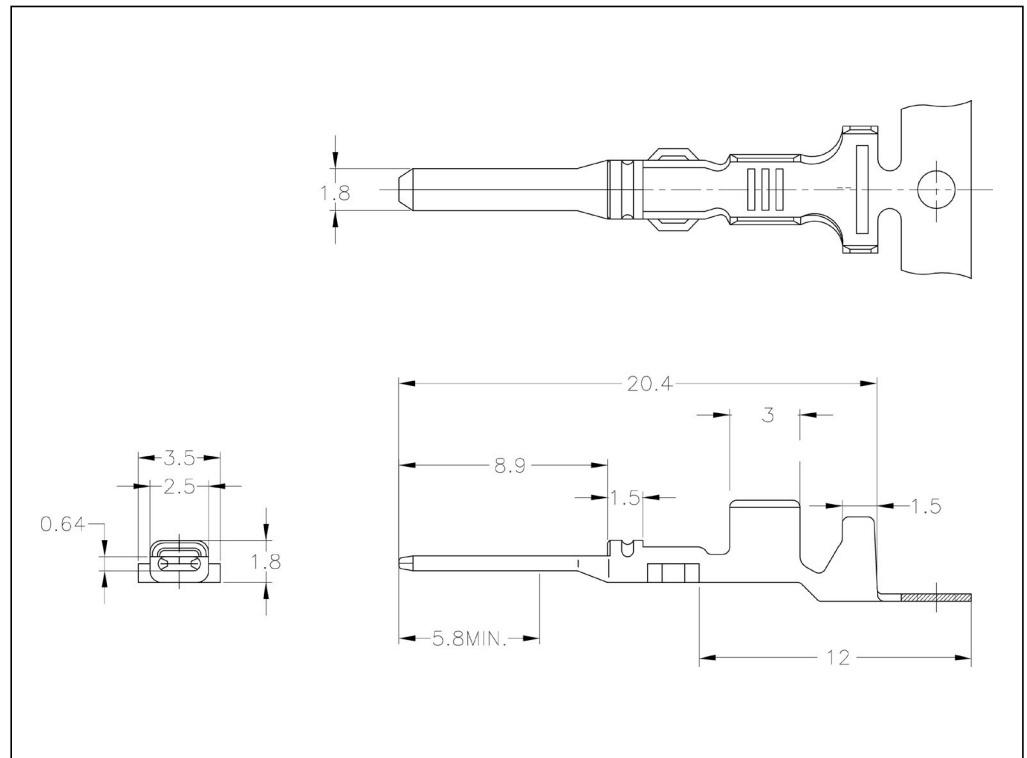


## Tab Contacts for the Automotive Industry

### 1.6 and 1.8 mm Tab Contacts



#### Contacts with Single Wire Sealing System with 1.8 mm Tab Width



#### Technical Features

**Contact Material:**

CuZn

**Contact Finish:**

Pre-tin plated or gold plated

**Wire Size Range:**

0.20 - 2.0 mm<sup>2</sup>

**Current Carrying Capacity**

Up to 18 A at 90 °C

**Temperature Range**

-30 °C ... +105 °C

**Mating Cycles**

10 tin plated

100 gold plated

**Contact Dimension**

0.64 x 1.80 mm

**Extraction Force**

min. 2 N

**Extraction Tool**

539960-1

**Product Drawing**

171631

171661

345807

345809

**Product Specification**

108-5262

108-3069

**Application Specification**

114-5082

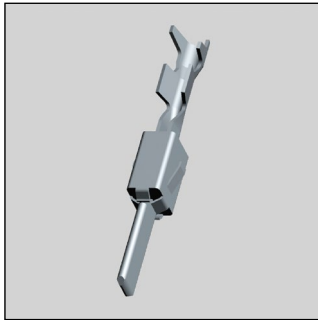
114-3040

#### Contacts with Single Wire Sealing System with 1.8 mm Tab Width

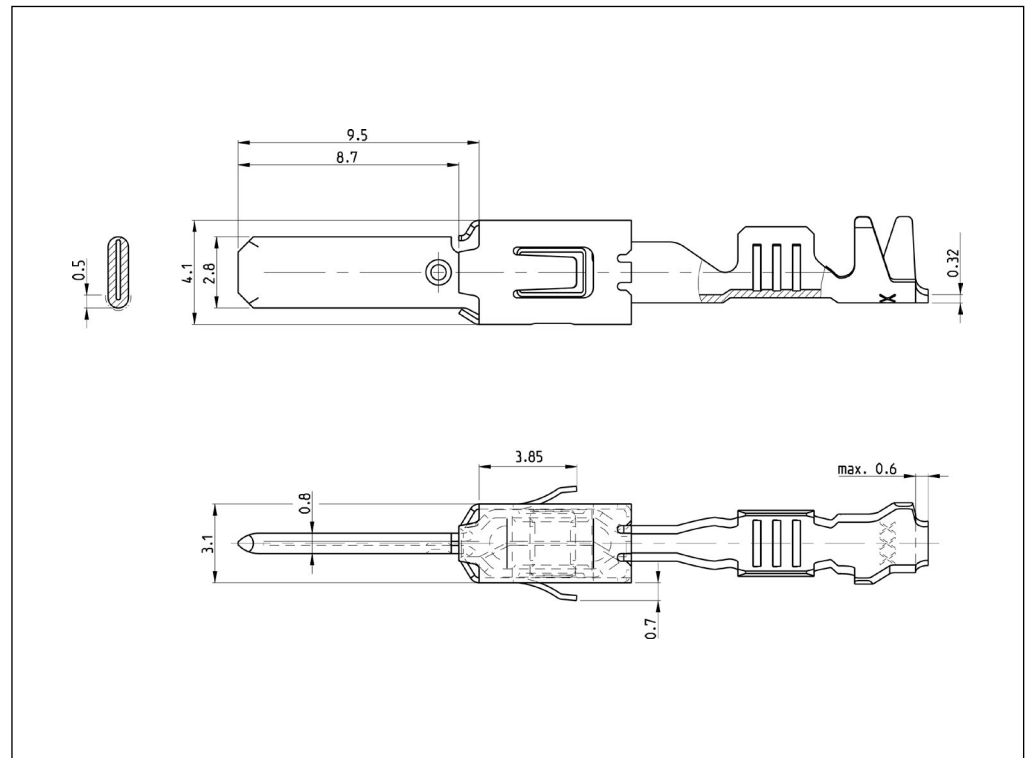
Wire Size Range (mm <sup>2</sup> )	Insulation Diameter (mm)		Material and Finish	Part Number	Applicator	Hand Tool or Die Set	Hand Tool Frame	Standard Extraction Tool	Mating Receptacle Contact	
	FLK	FLR								
0.2-0.5	1.4-2.4		CuZn - Sn	171631-1	2151249	91563-1		937313-1	171630-1	
			CuZn - Au	171631-2					171630-5	
0.50-1.25	2.0-2.6	1.6-1.8	CuZn - Sn	345809-1	2836087			1-1579007-5	345808-1	
			CuZn - Sn	171661-1					171662-1	
		0.50-1.25	2.0-2.6	CuZn - Au	171661-2	2151121	91585-1		937313-1	171662-5
				CuZn - Sn/Au	171661-5					171662-5
0.75-2.00	1.65-2.70		CuZn - Sn	345807-1	2151938			1-1579007-5	345806-1	

## Tab Contacts for the Automotive Industry

### 2.8 mm Tab Contacts



#### Standard Contacts with 2.8 mm Tab Width



#### Technical Features

##### Contact Material

CuSn, CuSn4 or CuFe2

##### Contact Finish

Pre-tin plated, silver plated or gold plated

##### Wire Size Range

0.35 - 4.00 mm<sup>2</sup>

##### Current Carrying Capacity

Up to 30 A at 90 °C

##### Temperature Range

-40 °C ... +130 °C (tin plated)  
-40 °C ... +140 °C (silver plated)  
-40 °C ... +150 °C (gold plated)

##### Mating Cycles

10 tin plated  
50 silver plated  
100 gold plated

##### Contact Dimension

0.80 x 2.80 mm

##### Extraction Force

min. 1.5 N

##### Extraction Tool

see table below

##### Product Group Drawing

1355052

##### Product Specification

108-18063

##### Application Specification

114-18051

#### Standard Contacts with 2.8 mm Tab Width

(continue page 15)

Wire Size Range (mm <sup>2</sup> )	Insulation Diameter (mm)		Material and Finish	Part Number	Applicator	Hand Tool or Die Set	Hand Tool Frame	Standard Extraction Tool	Mating Receptacle Contact
	FLK	FLR							
0.35		1.15-1.6	CuSn4 - Au	1-2141874-3	2151065	539664-2	539635-1	1-1579007-6	1-968880-1
			CuFe2 - Sn	2-2141874-1					
0.20-0.50		1.15-1.60	CuSn4 - Sn	1-963860-1	2151921	734538-1	1-1579007-6		1-968880-1
			CuSn4 - Ag	1-963860-2					1-968880-3
			CuSn4 - Au	1-963860-3					1-968880-2
			CuFe2 - Sn	2-963860-1	2151563	1-734603-1	2-1579007-5		1-968880-1
			CuSn - Sn	962882-1					
			CuFe2 - Sn	962882-2					
0.35-0.50		1.20-1.60	CuSn4 - Au	1-964292-3	2151065	539664-2	539635-1	1-1579007-6	1-968880-2
			CuFe2 - Sn	2-964292-1	2151065				1-968880-1
0.75-1.00		1.70-2.10	CuSn - Sn	968136-2	2151045	539711-2	539635-1	6-1579007-3	968678-2
			CuSn - Au	968136-5					2151039
0.50-1.00		1.40-2.10	CuSn - Sn	968136-5	2151267	58603-2	354940-1	1-1579007-6	968074-5
			CuSn4 - Sn	1-962841-1					1-968849-1
			CuSn4 - Ag	1-962841-2	2151267	1-968849-3			
			CuSn4 - Au	1-962841-3	2151267	1-968849-2			
			CuFe2 - Sn	2-962841-1	2151267			1-968849-1	

## Tab Contacts for the Automotive Industry

### 2.8 mm Tab Contacts

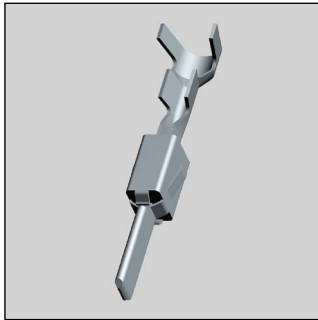
#### Standard Contacts with 2.8 mm Tab Width

(continue from page 14)

Wire Size Range (mm <sup>2</sup> )	Insulation Diameter (mm)		Material and Finish	Part Number	Applicator	Hand Tool or Die Set	Hand Tool Frame	Standard Extraction Tool	Mating Receptacle Contact
	FLK	FLR							
0.50-1.00		1.40-2.10	CuSn4 - Au	1-964294-3	2151099	539951-2	539635-1	1-1579007-6	1-968849-2
			CuFe2 - Sn	2-964294-1					1-968849-1
			CuFe2 - Ag	2-964294-2					1-968849-3
0.50-1.00		1.40-02.00	CuSn4 - Sn	962883-1	2151683	1-734603-1		2-1579007-5	1-968849-1
			CuFe2 - Sn	962883-2					
1.50-2.50		2.20-3.00	CuSn - Sn	968137-2	2151067	58590-1	354940-1	6-1579007-3	968075-2
			CuSn - Au	968137-5					968075-5
>1.00-2.50	2.40-3.70		CuSn4 - Sn	1-962843-1	2151620	734417-3		1-1579007-6	1-968851-1
			CuSn4 - Ag	1-962843-2					1-968851-3
>1.00-2.50		2.10-2.90	CuSn4 - Sn	1-962842-1	2151274	56803-2	354940-1	1-1579007-6	1-968851-1
			CuSn4 - Ag	1-962842-2					1-968851-3
			CuSn4 - Au	1-962842-3					1-968851-2
			CuFe2 - Sn	2-962842-1					1-968851-1
			CuFe2 - Ag	2-962842-2					1-968851-3
>1.00-2.50		2.10-2.90	CuSn4 - Sn	962884-1	2151562			2-1579007-5	1-968851-1
			CuFe2 - Sn	962884-2					
>1.00-2.50		2.20-3.0	CuSn4 - Au	1-964296-3	2151062	539664-2	539635-1	1-1579007-6	1-968851-1
			CuFe2 - Sn	2-964296-1					1-968851-3
			CuFe2 - Ag	2-964296-2					1-968851-3
1.00-2.50		2.40-3.70	CuFe - Ag	2-2141598-2	2151620			1-1579007-6	1-968851-3
2.50		2.40-3.70	CuFe2 - Sn	2-2177895-1	2151813				2-2177894-1
4.0		3.40-3.70	CuSn - Sn	1355964-2	2151051	539635-1	354940-1	6-1579007-3	1355950-2
2.50-4.0		2.70-3.70	CuSn4 - Sn	1-968946-1	2151634			1-1579007-6	1-968853-1
			CuSn4 - Ag	1-968946-2					1-968853-3
			CuFe2 - Sn	2-968946-1					1-968853-1
			CuFe2 - Ag	2-968946-2					1-968853-3
2.40-4.0		2.70-3.70	CuFe - Ag	2-2141600-2	2151634			1-968853-3	

## Tab Contacts for the Automotive Industry

### 2.8 mm Tab Contacts



#### Technical Features

##### Contact Material

CuSn, CuSn4 or CuFe2

##### Contact Finish

Pre-tin plated, silver plated or gold plated

##### Wire Size Range

0.35 – 4.00 mm<sup>2</sup>

##### Current Carrying Capacity

Up to 30 A at 90 °C

##### Temperature Range

–40 °C ... +130 °C (tin plated)  
–40 °C ... +140 °C (silver plated)  
–40 °C ... +150 °C (gold plated)

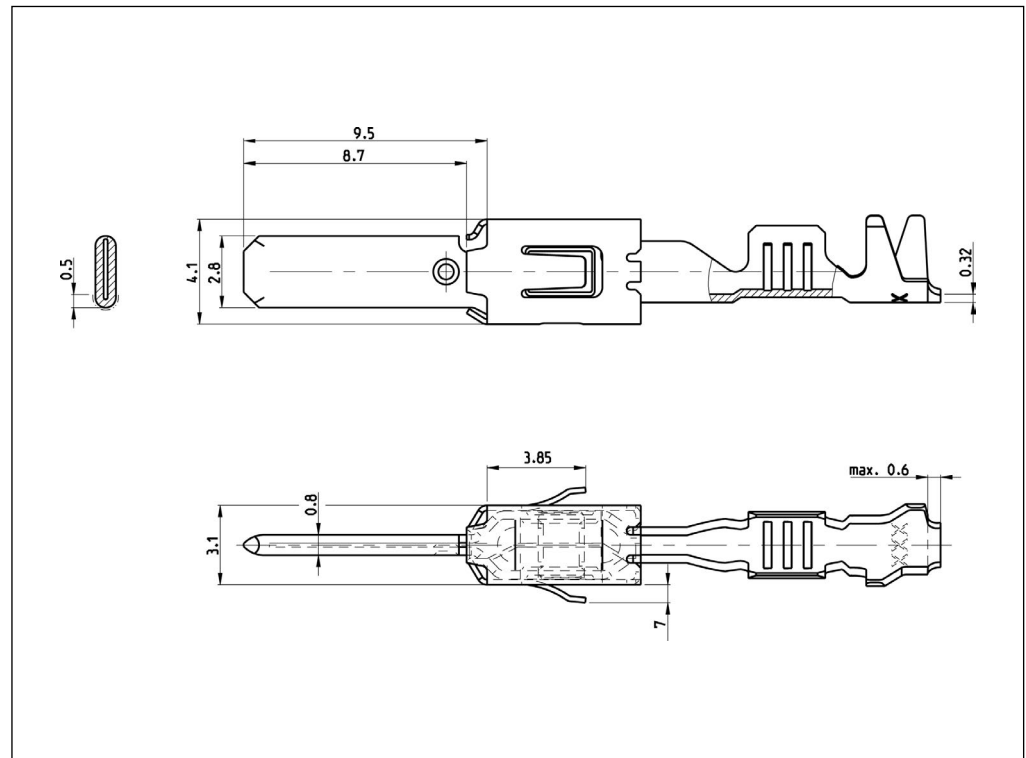
##### Mating Cycles

10 tin plated  
50 silver plated  
100 gold plated

##### Contact Thickness

0.80 x 2.80 mm

#### Contacts with Single Wire Sealing System with 2.8 mm Tab Width



**Extraction Force**  
min. 1.5 N

**Extraction Tool**  
see table below

**Product Group Drawing**  
1355052

**Product Specification**  
108-18063

**Application Specification**  
114-18051

#### Contacts with Single Wire Sealing System with 2.8 mm Tab Width

(continue page 17)

Wire Size Range (mm <sup>2</sup> )	Insulation Diameter (mm)		Material and Finish	Part Number	Applicator	Hand Tool or Die Set	Hand Tool Frame	Standard Extraction Tool	Mating Receptacle Contact
	FLK	FLR							
0.35		3.40	CuSn4 - Au	1-2141876-3	2151193	539650-2	539635-1		1-968882-1
			CuFe2 - Sn	2-2141876-1					
0.20-0.50		2.10	CuSn4 - Sn	1-965982-1	2151840			1-1579007-6	1-968882-1
			CuSn4 - Au	1-965982-3					1-968882-2
0.20-0.50		1.20-2.30	CuSn4 - Au	1-964298-3	2151193	539952-2	539635-1	1-1579007-6	1-968882-2
			CuFe2 - Sn	2-964298-1					1-968882-1
> 0.50-1.00		1.20-3.30	CuSn - Sn	968138-2	2151556	58591-1	354940-1	6-1579001-3	968119-2
			CuSn4 - Sn	1-962915-1					1-968855-1
			CuSn4 - Ag	1-962915-2					1-968855-3
			CuSn4 - Au	1-962915-3					1-968855-2
			CuFe2 - Sn	2-962915-1					2266072
0.50-1.00		1.40-2.00	CuFe2 - Ag	2-962915-2					1-968855-3
			CuFe2 - Au	2-962915-3					1-968855-2
			CuSn4 - Au	6-962915-6					1-968855-2
			CuSn4 - Au	1-964300-3					2151060
CuFe2 - Sn	2-964300-1	1-968855-1							

## Tab Contacts for the Automotive Industry

### 2.8 mm Tab Contacts

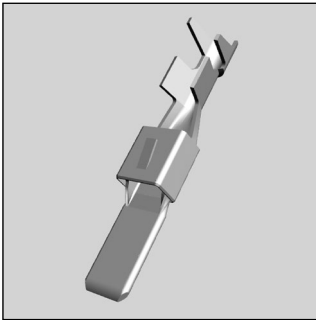
#### Contacts with Single Wire Sealing System with 2.8 mm Tab Width

(continue from page 16)

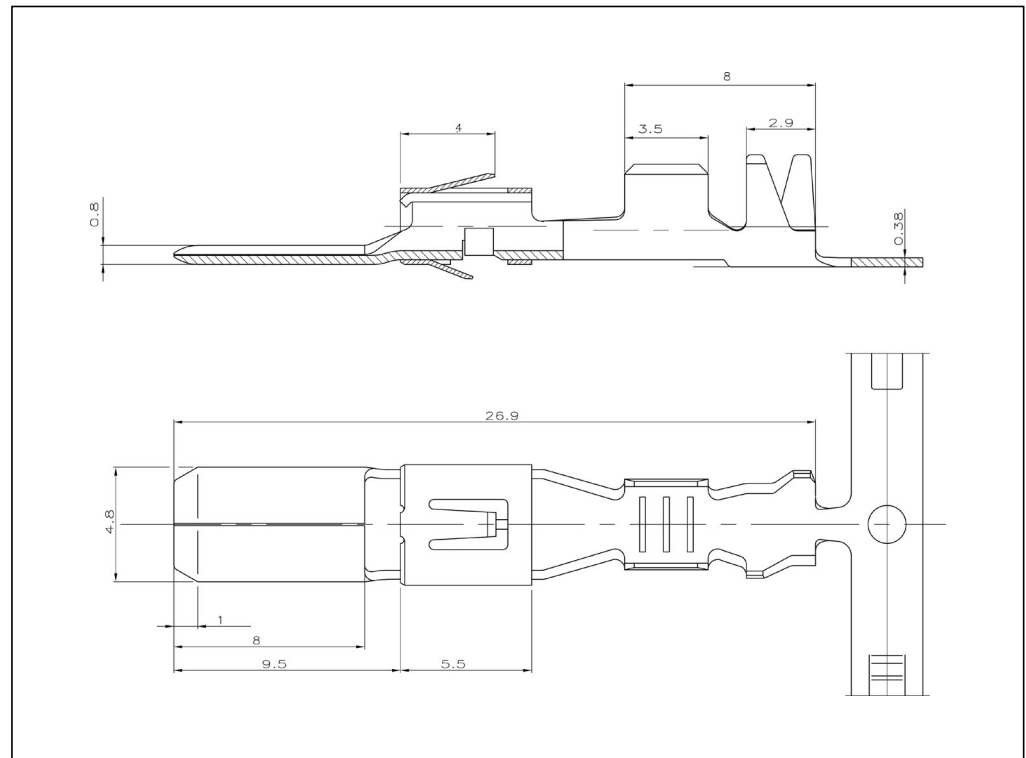
Wire Size Range (mm <sup>2</sup> )	Insulation Diameter (mm)		Material and Finish	Part Number	Applicator	Hand Tool or Die Set	Hand Tool Frame	Standard Extraction Tool	Mating Receptacle Contact
	FLK	FLR							
0.5-1.0		1.4-2.1	CuSn4 - Sn	962880-1	1530149	7-1579016-7	539635-1	2-1579007-5	1-968855-1
			CuFe2 - Sn	962880-2					1-968855-2
			CuFe2 - Au	962880-3					1-968855-2
> 1.0-2.5		2.2-3.0	CuSn - Sn	968139-2	2151577	58591-1	354940-1	6-1579001-3	968120-2
			CuSn4 - Sn	1-962916-1					1-968857-1
>1.0-2.5		max. 3.0	CuSn4 - Ag	1-962916-2	2151260	734440-1	539635-1	1-1579007-6	1-968857-3
			CuSn4 - Au	1-962916-3					1-968857-2
			CuFe2 - Sn	2-962916-1					1-968857-1
			CuFe2 - Ag	2-962916-2					1-968857-3
			CuSn4 - Au	1-964302-3					1-968857-2
>1.0-2.5		2.2-3.0	CuFe2 - Sn	2-964302-1	2151063	539650-2	539635-1	1-1579007-6	1-968857-1
			CuSn4 - Sn	962881-1					1-968857-1
1.5-2.5		2.2-3.0	CuFe2 - Sn	962881-2	1530550			2-1579007-5	1-968857-1
			CuFe2 - Au	962881-3					1-968857-2
			CuSn4 - Sn	1-968947-1					2151173
2.5-4.0		3.7	CuSn4 - Sn	1-968947-1	2151173			1-1579007-6	1-968859-1
3.3		3.0	CuSn - Ag	1-1719504-2	2836092			1-1579007-6	1-1719506-3

## Tab Contacts for the Automotive Industry

### 4.8, 5.2, 5.8 and 6.3 mm Tab Contacts



#### Standard Contacts with 4.8 mm Tab Width



#### Technical Features

##### Contact Material

CuSn4 or CuFe2

##### Contact Finish

Pre-tin plated

##### Wire Size Range

0.2 – 4.0 mm<sup>2</sup>

##### Current Carrying Capacity

Up to 30 A at 90 °C

##### Temperature Range

–40 °C ... +130 °C (tin plated)

##### Mating Cycles

10 tin plated

##### Contact Dimension

0.80 x 4.80 mm

##### Extraction Force

min. 1.5 N

##### Extraction Tool

2-1579007-5

##### Product Drawing

963824

962903

962904

962910

##### Product Specification

108-18064

##### Application Specification

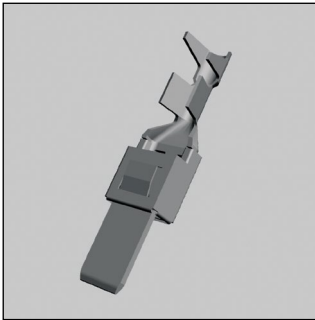
114-18052

#### Standard Contacts with 4.8 mm Tab Width

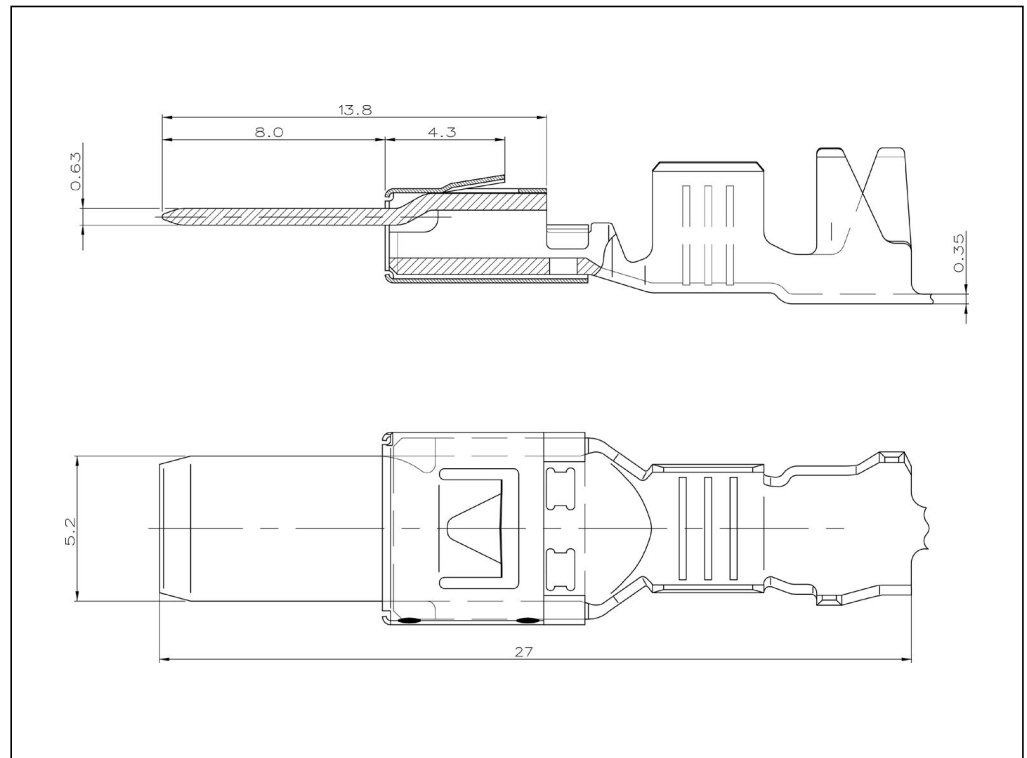
Wire Size Range (mm <sup>2</sup> )	Insulation Diameter (mm)		Material and Finish	Part Number	Applicator	Mating Receptacle Contact
	FLK	FLR				
0.2-0.5		1.1-1.6	CuSn4 - Sn	963824-1	2151563	1241400-1
			CuFe2 - Sn	963824-2		
0.5-1.0		1.4-2.1	CuSn4 - Sn	962903-1	2151683	1241402-1
			CuFe2 - Sn	962903-2		
>1.0-2.5		2.1-3.0	CuSn4 - Sn	962904-1	2151562	1241404-1
			CuFe2 - Sn	962904-2		
>2.5-4.0	3.3-4.5		CuSn4 - Sn	962910-1	2836094	1241406-1
			CuFe2 - Sn	962910-2		

## Tab Contacts for the Automotive Industry

### 4.8, 5.2, 5.8 and 6.3 mm Tab Contacts



#### Standard Contacts with 5.2 mm Tab Width



#### Technical Features

**Contact Material**

CuSn4 or CuFe2

**Contact Finish**

Pre-tin plated

**Wire Size Range**

0.1 – 4.0 mm<sup>2</sup>

**Current Carrying Capacity**

Up to 45 A at 90 °C

**Temperature Range**

–40 °C ... +130 °C (tin plated)

**Mating Cycles**

20 tin plated

**Contact Dimension**

0.63 x 5.20 mm

**Extraction Force:**

min. 1.5 N

**Extraction Tool**

6-1579007-4

**Product Group Drawing**

1241639

**Product Specification**

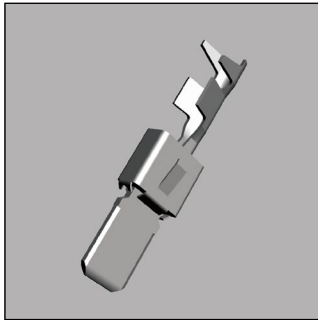
108-18476-1

**Application Specification**

114-18141-1

#### Standard Contacts with 5.2 mm Tab Width

Wire Size Range (mm <sup>2</sup> )	Insulation Diameter (mm)		Material and Finish	Part Number	Applicator	Hand Tool or Die Set	Hand Tool Frame	Mating Receptacle Contact
	FLK	FLR						
>1.0-2.5		1.9-3.0	CuSn - Sn	968131-2	2151047	58593-1/-2	354940-1	968072-2
>2.5-4.0		2.7-3.7	CuSn - Sn	968132-2	2151579	58594-1/-2	354940-1	968073-2



**Technical Features**

**Contact Material**

CuSn4 or CuFe2

**Contact Finish**

Pre-tin plated or silver plated

**Wire Size Range**

0.2 – 6.00 mm<sup>2</sup>

**Current Carrying Capacity**

Up to 40 A at 90 °C

**Temperature Range**

-40 °C ... +130 °C (tin plated)  
-40 °C ... +140 °C (silver plated)

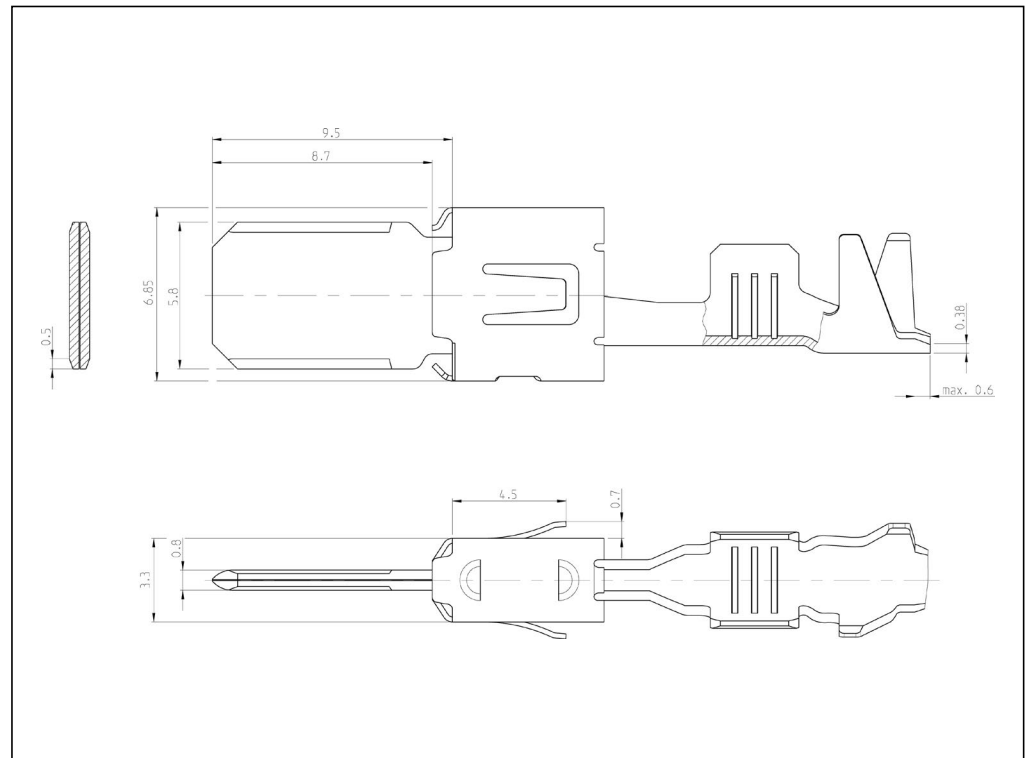
**Mating Cycles**

10 tin plated  
50 silver plated

**Contact Thickness**

0.80 x 5.80 mm

**Standard Contacts with 5.8 mm Tab Width**



**Extraction Force**  
min. 1.5 N

**Extraction Tool**  
1-1579007-6

**Product Group Drawing**  
1241895

**Product Specification**  
108-18064

**Application Specification**  
114-18052

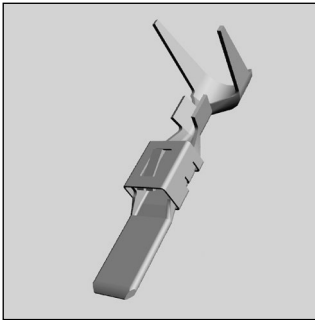
**Standard Contacts with 5.8 mm Tab Width**

Wire Size Range (mm <sup>2</sup> )	Insulation Diameter (mm)		Material and Finish	Part Number	Applicator	Hand Tool or Die Set	Hand Tool Frame	Mating Receptacle Contact
	FLK	FLR						
2.5	2.7-3.0		CuFe2 - Sn	2-2236893-1	on request			2-2177838-1
0.2-0.5		1.15-1.60	CuFe2 - Sn	969007-1	2151486	539665-2	539635-1	1241400-1
			CuSn4 - Sn	1-963734-1				1241402-1
0.5-1.0		1.4-2.1	CuSn4 - Ag	1-963734-2	2151773	539759-2	539635-1	1241402-3
			CuFe2 - Sn	2-963734-1				1241402-1
			CuSn4 - Sn	1-963735-1				1241404-1
>1.0-2.5		2.2-3.0	CuSn4 - Ag	1-963735-2	2266756			1241404-3
			CuFe2 - Sn	2-963735-1				1241404-1
			CuSn4 - Sn	1-963736-1				1241406-1
4.0		2.7-3.7	CuSn4 - Ag	1-963736-2	2151631			1241406-3
			CuFe2 - Sn	2-963736-1				1241406-1
0.5-1.0		1.4-2.1	CuFe2 - Sn	964304-1	2151152	539665-2	539635-1	1241402-1
>1.0-2.5		2.2-3.0	CuFe2 - Sn	964306-1	2151160	539665-2	539635-1	1241404-1
>2.5-4.0		3.3-4.5	CuFe2 - Sn	964308-1	2151150	539665-2	539635-1	1241406-1
4.0-6.0	4.0-5.2		CuSn4 - Sn	1-968050-1	2151934			1241408-1
>1.0-2.5	2.4-3.7		CuSn4 - Sn	1-962845-1	2836095	539759-2	539635-1	1241404-1
			CuSn4 - Sn	1-962846-1				1241406-1
4.0	3.3-4.5		CuSn4 - Ag	1-962846-2	2151686	539759-2	539635-1	1241406-3
			CuFe2 - Sn	2-962846-1				1241406-1



## Tab Contacts for the Automotive Industry

### 4.8, 5.2, 5.8 and 6.3 mm Tab Contacts



#### Contacts with Single Wire Sealing System with 4.8 mm Tab Width

#### Technical Features

**Contact Material**

CuSn4 or CuFe2

**Contact Finish**

Pre-tin plated

**Wire Size Range**

0.50 - 4.00 mm<sup>2</sup>

**Current Carrying Capacity**

Up to 40 A at 90 °C

**Temperature Range**

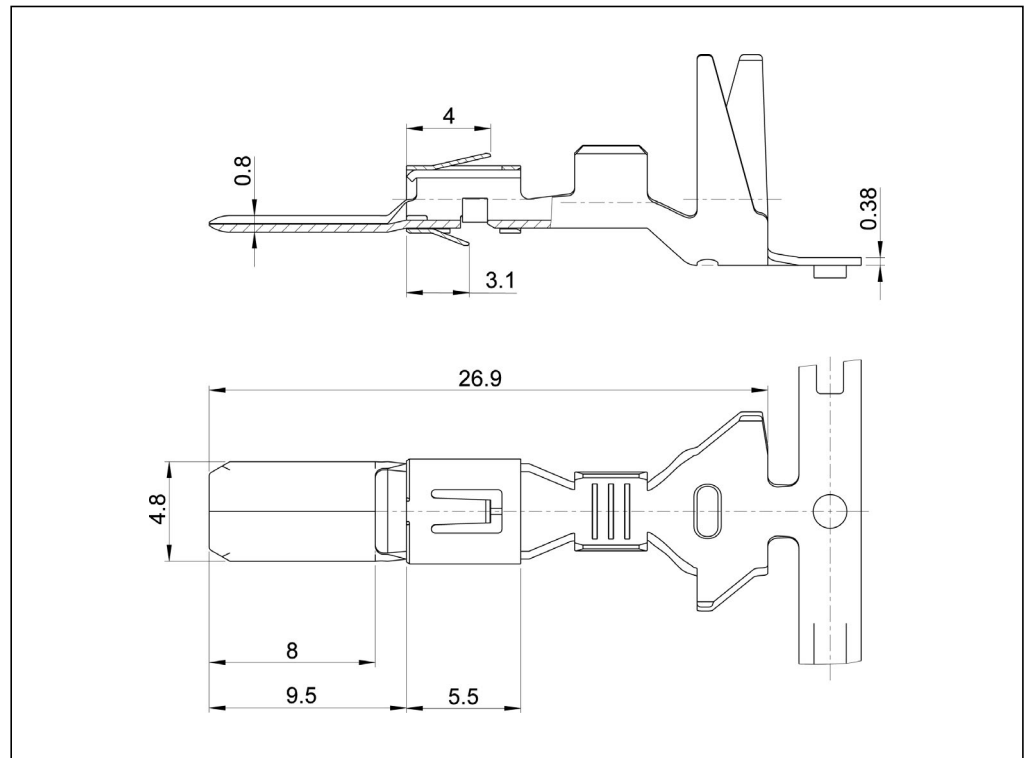
-40 °C ... +130 °C (tin plated)

**Mating Cycles**

10 tin plated

**Contact Dimension**

0.80 x 4.80 mm



**Extraction Force:**

min. 1.5 N

**Extraction Tool**

2-1579007-5

**Product Drawing**

962905

962906

962907

**Product Specification**

108-18064

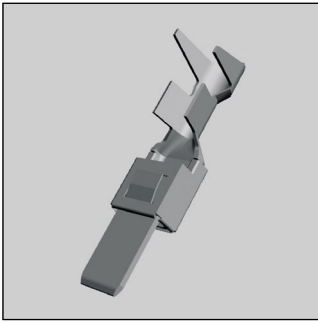
**Application Specification**

114-18052

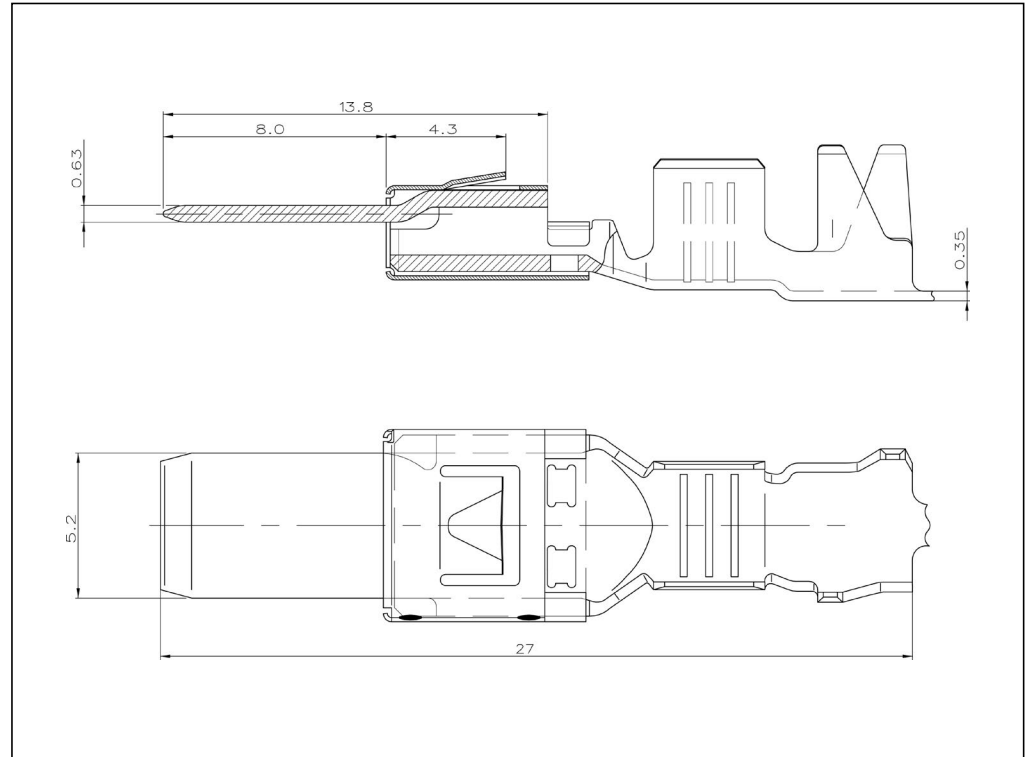
#### Contacts with Single Wire Sealing System with 4.8 mm Tab Width

Wire Size Range (mm <sup>2</sup> )	Insulation Diameter (mm)		Material and Finish	Part Number	Applicator	Mating Receptacle Contact
	FLK	FLR				
0.5-1.0		1.4-2.0	CuSn4 - Sn	962905-1	1528873	1241412-1
			CuFe2 - Sn	962905-2		
>1.0-2.5		2.1-2.9	CuSn4 - Sn	962906-1	2836102	1241414-1
			CuFe2 - Sn	962906-2		
>2.5-4.0	3.3-4.5		CuFe2 - Sn	962907-2	2836104	1241416-1

**Tab Contacts for the Automotive Industry**  
**4.8. 5.2. 5.8 and 6.3 mm Tab Width Products**



**Contacts with Single Wire Sealing System with 5.2 mm Tab Width**



**Technical Features**

**Contact Material**

CuSn4

**Contact Finish**

Pre-tin plated

**Wire Size Range**

2.5 - 4.00 mm<sup>2</sup>

**Current Carrying Capacity**

Up to 45 A at 90 °C

**Temperature Range**

-40 °C ... +130 °C (tin plated)

**Mating Cycles**

20 tin plated

**Contact Dimension**

0.63 x 5.20 mm

**Extraction Force:**

min. 1.5 N

**Extraction Tool**

6-1579007-4

**Product Group Drawing**

1241639

**Product Specification**

108-18476-1

**Application Specification**

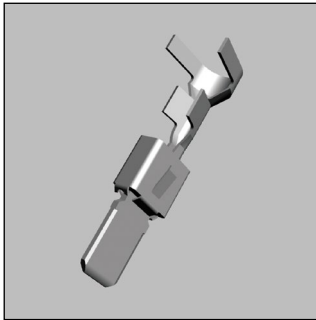
114-18141-1

**Contacts with Single Wire Sealing System with 5.2 mm Tab Width**

Wire Size Range (mm <sup>2</sup> )	Insulation Diameter (mm)		Material and Finish	Part Number	Applicator	Hand Tool or Die Set	Hand Tool Frame	Mating Receptacle Contact
	FLK	FLR						
>2.5-4.0	3.4-3.7		CuSn - Sn	968134-2	2151574	58596-1/-2	354940-1	968122-4

## Tab Contacts for the Automotive Industry

### 4.8. 5.2. 5.8 and 6.3 mm Tab Width Products



#### Technical Features

**Contact Material**

CuSn4 or CuFe2

**Contact Finish**

Pre-tin plated or silver plated

**Wire Size Range**

0.50 - 6.00 mm<sup>2</sup>

**Current Carrying Capacity**

Up to 40 A at 90 °C

**Temperature Range**

-40 °C ... +130 °C (tin plated)

-40 °C ... +140 °C (silver plated)

**Mating Cycles**

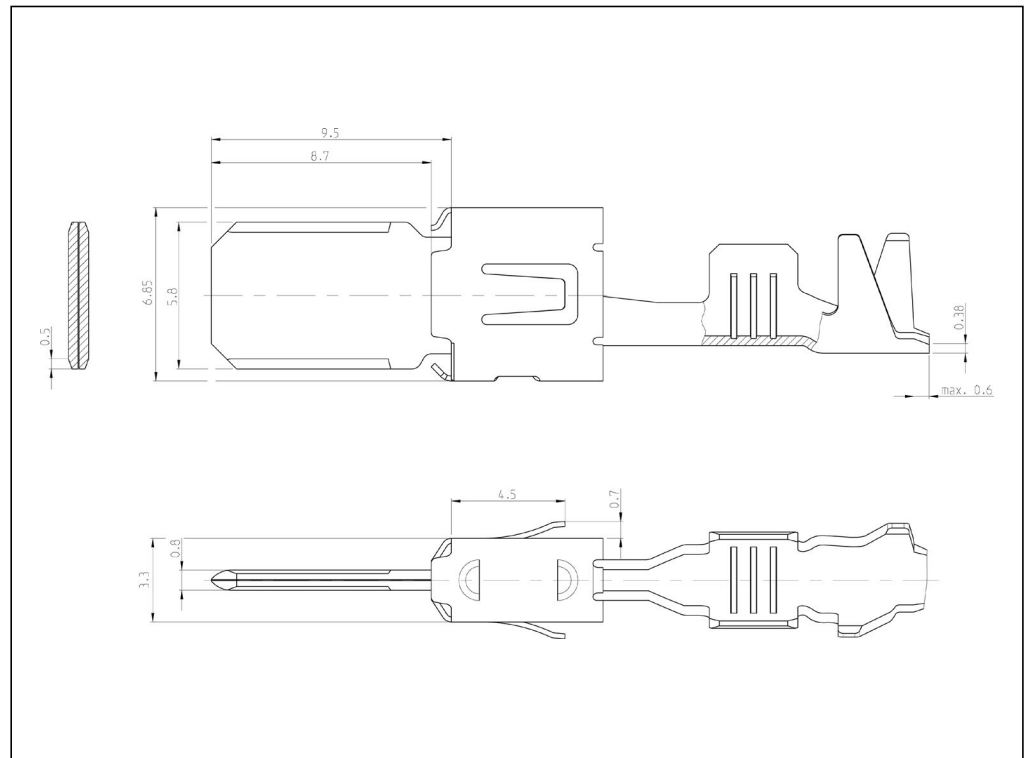
10 tin plated

50 silver plated

**Contact Dimension**

0.80 x 5.80 mm

#### Contacts with Single Wire Sealing System with 5.8 mm Tab Width



**Extraction Force**

min. 1.5 N

**Extraction Tool**

1-1579007-6

**Product Group Drawing**

1241895

1394011

**Product Specification**

108-18064

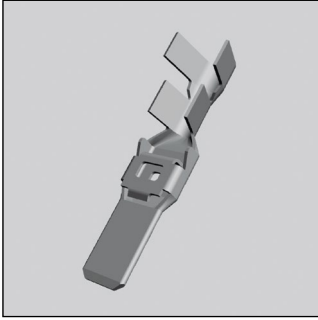
**Application Specification**

114-18052

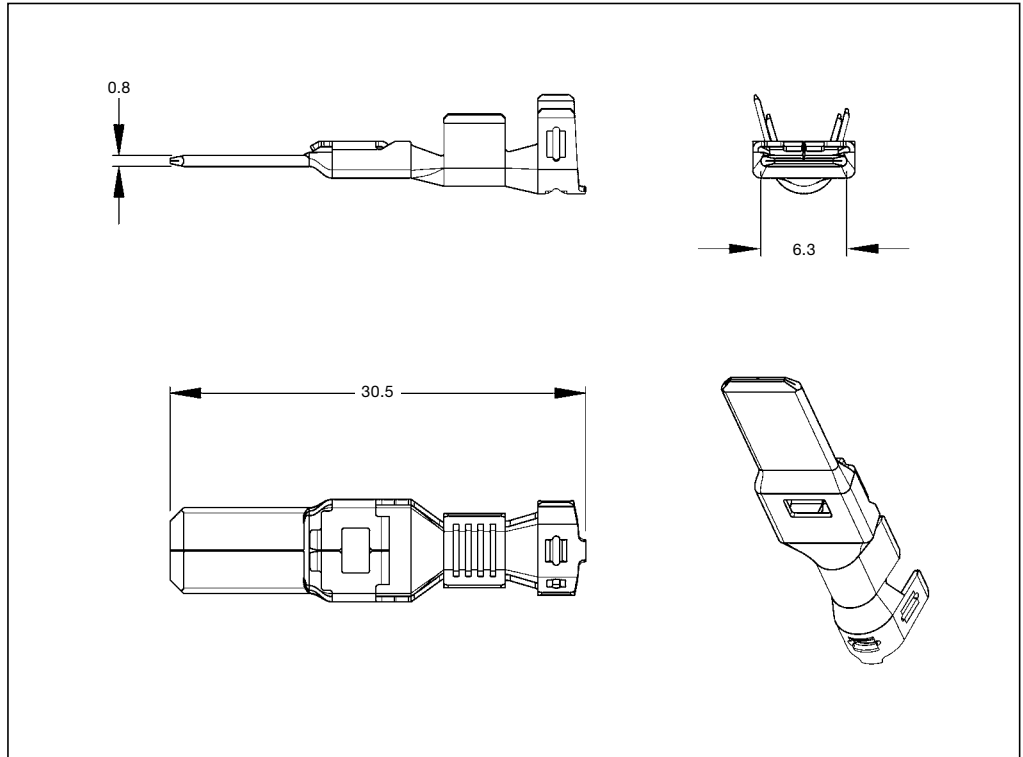
#### Contacts with Single Wire Sealing System with 5.8 mm Tab Width

Wire Size Range (mm <sup>2</sup> )	Insulation Diameter (mm)		Material and Finish	Part Number	Applicator	Hand Tool or Die Set	Hand Tool Frame	Mating Receptacle Contact
	FLK	FLR						
0.5-1.0		1.4-2.1	CuSn4 - Sn	1-962917-1	2266535	539757-2	539635-1	1241412-1
			CuSn4 - Ag	1-962917-2				1241412-3
			CuFe2 - Sn	2-962917-1				1241412-1
>1.0-2.5		2.2-3.0	CuSn4 - Sn	1-962918-1	2151783	539757-2	539635-1	1241414-1
			CuSn4 - Ag	1-962918-2				1241414-3
			CuFe2 - Sn	2-962918-1				1241414-1
4.0		2.7-3.7	CuSn4 - Sn	1-962919-1	2151782	539757-2	539635-1	1241416-1
			CuSn4 - Ag	1-962919-2				1241416-3
0.5-1.0		1.4-2.1	CuFe2 - Sn	964310-1	2151569	539666-2	539635-1	1241412-1
>1.0-2.5		2.2-3.0	CuFe2 - Sn	964312-1	2151259	539666-2	539635-1	1241414-1
>2.5-4.0		3.3-3.7	CuFe2 - Sn	964314-1	2151501	539666-2	539635-1	1241416-1
4.0-6.0	4.0-5.2		CuFe2 - Ag	2-2112966-2	2151841			1241418-1

**Tab Contacts for the Automotive Industry**  
**4.8. 5.2. 5.8 and 6.3 mm Tab Width Products**



**Contacts with Single Wire Sealing System with 6.3 mm Tab Width**



**Technical Features**

- Contact Material**  
Micro Alloy Copper
- Contact Finish**  
Tin plated
- Wire Size Range**  
2.5 - 6.00 mm<sup>2</sup>
- Current Carrying Capacity**  
Up to 46 A at 90 °C
- Temperature Range**  
-40 °C ... +130 °C (tin plated)
- Mating Cycles**  
10 tin plated
- Contact Dimension**  
0.80 x 6.30 mm

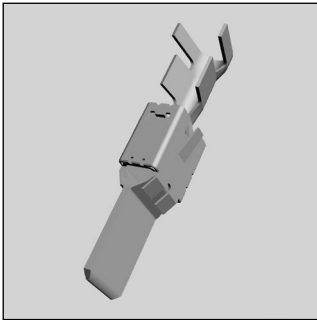
**Extraction Force**  
min. 1.5 N

**Product Drawing**  
1544218

**Instruction Sheet**  
411-15687  
**Application Specification**  
-/-

**Contacts with Single Wire Sealing System with 6.3 mm Tab Width**

Wire Size Range (mm <sup>2</sup> )	Insulation Diameter (mm)		Material and Finish	Part Number	Applicator	Mating Receptacle Contact
	FLK	FLR				
2.5-6.0	3.2-4.4	2.8-4.1	Micro Alloy Copper - Sn	1544218-1	2266158	1544133-1



**Technical Features**

**Contact Material**

CuSn4 or CuFe2

**Contact Finish**

Pre-tin plated

**Wire Size Range**

2.5 - 10.0 mm<sup>2</sup>

**Current Carrying Capacity**

Up to 78 A at 90 °C

**Temperature Range**

-40 °C ... +130 °C (tin plated)

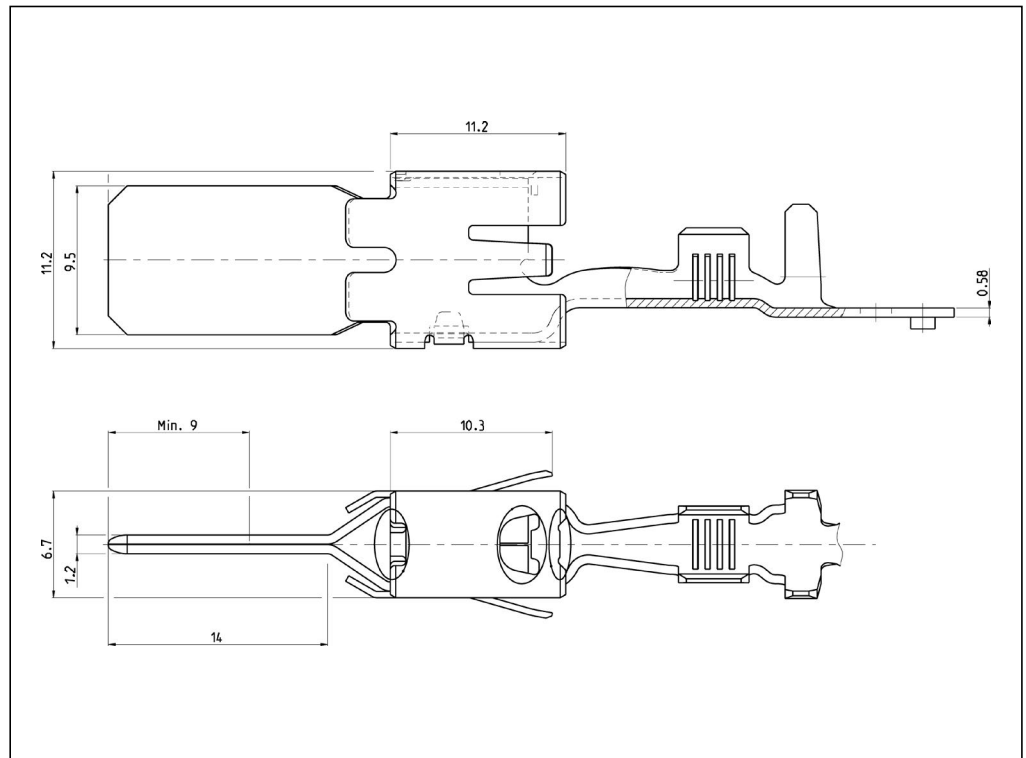
**Mating Cycles**

10 tin plated

**Contact Dimension**

1.20 x 9.50 mm

**Standard Contacts with 9.5 mm Tab Width**



**Extraction Force:**

> 6 N

**Extraction Tool**

1-1579007-7

**Product Group Drawing**

2287475

**Product Specification**

108-18047

**Application Specification**

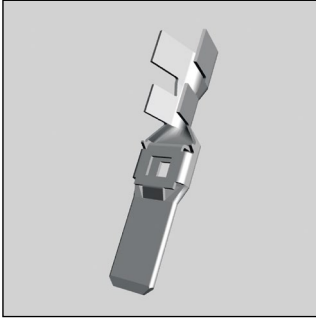
114-18076

**Standard Contacts with 9.5 mm Tab Width**

Wire Size Range (mm <sup>2</sup> )	Insulation Diameter (mm)		Material and Finish	Part Number	Applicator	Hand Tool or Die Set	Mating Receptacle Contact
	FLK	FLR					
2.5-4.0	3.3-4.7		CuFe2 - Sn	963764-2	on request		962928-1
			CuSn4 - Sn	963766-1			
4.0-6.0	4.0-5.2		CuFe2 - Sn	963766-2	1855666	2-1579024-1	962930-1
			CuSn4 - Sn	963768-1			
6.0-10.0	4.6-6.6		CuSn4 - Sn	963768-1	1855441	1-1579024-3	962932-1
			CuFe2 - Sn	963768-2			

## Tab Contacts for the Automotive Industry

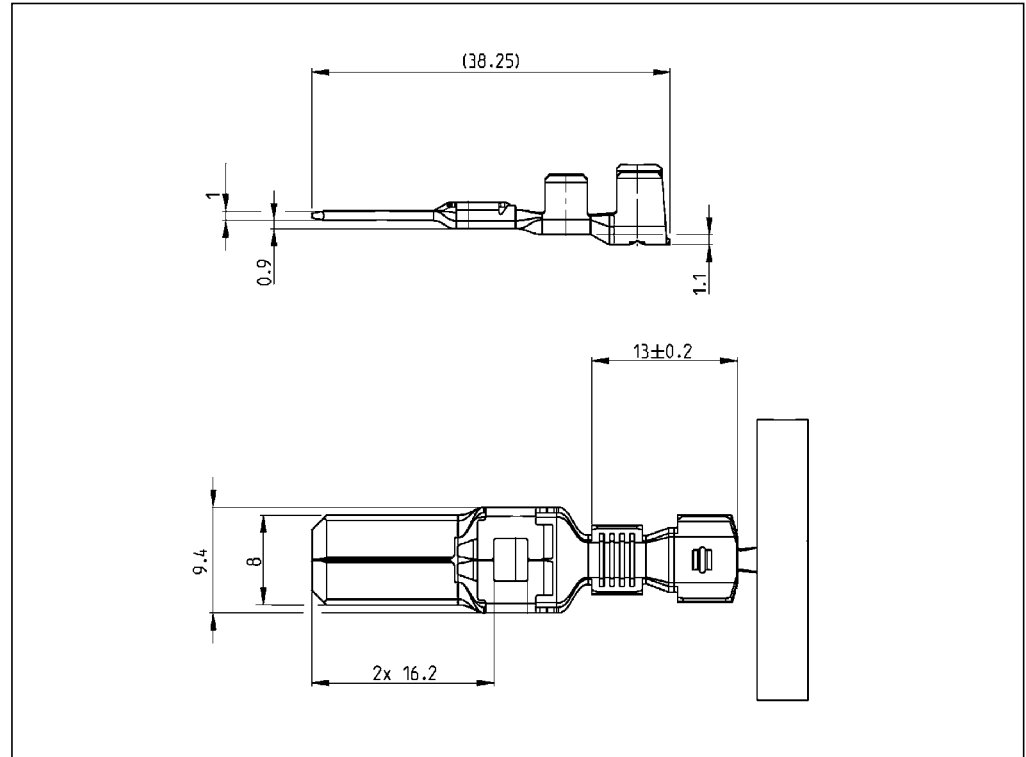
### 8.0 and 9.5 mm Tab Width Products



#### Technical Features

- Contact Material**  
CuZn, CuSn, Micro Alloy Copper
- Contact Finish**  
Pre-tin plated or silver plated
- Wire Size Range**  
2.5 - 10.0 mm<sup>2</sup>
- Current Carrying Capacity**  
Up to 68 A at 90 °C
- Temperature Range**  
-40 °C ... +130 °C (tin plated)
- Mating Cycles**  
10 tin plated
- Contact Thickness**  
1.00 x 8.00 mm

#### Contacts with Single Wire Sealing System with 8.0 mm Tab Width



**Extraction Force:**  
> 6 N

**Product Drawing**  
1544967  
1544968  
1544969  
1544332  
1544333

**Product Specification**  
108-15382  
108-15346

**Application Specification**  
114-15109  
114-15112

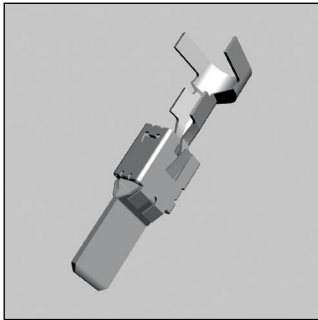
#### Contacts with Single Wire Sealing System with 8.0 mm Tab Width

Wire Size Range (mm <sup>2</sup> )	Insulation Diameter (mm)		Material and Finish	Part Number	Applicator	Mating Receptacle Contact
	FLK	FLR				
2.5-4.0		2.65-3.90	Micro Alloy Copper - SnAg	1544967-1 <sup>*)</sup>	2836055	1544966-2
			Micro Alloy Copper - Ag	1544967-2 <sup>*)</sup>		
3.0-6.0		3.35-4.10	CuZn - Sn	1544332-1	2151927	1544227-1
			CuSn - Sn	1544332-2		
5.0-6.0		3.70-4.50	Micro Alloy Copper - SnAg	1544968-1 <sup>*)</sup>	2266583	1544966-2
			Micro Alloy Copper - Ag	1544968-2 <sup>*)</sup>		
7.0-10.0		4.90-5.90	CuZn - Sn	1544333-1	2836052	1544227-1
7.0-10.0		4.30-6.00	Micro Alloy Copper - SnAg	1544969-1 <sup>*)</sup>	2836056	1544966-2
			Micro Alloy Copper - Ag	1544969-2 <sup>*)</sup>		

<sup>\*)</sup> NG1Plus Type Terminals

## Tab Contacts for the Automotive Industry

### 8.0 and 9.5 mm Tab Width Products



#### Technical Features

**Contact Material**

CuSn4 or CuFe2

**Contact Finish**

Pre-tin plated

**Wire Size Range**

2.5 - 10.0 mm<sup>2</sup>

**Current Carrying Capacity**

Up to 78 A at 90 °C

**Temperature Range**

-40 °C ... +130 °C (tin plated)

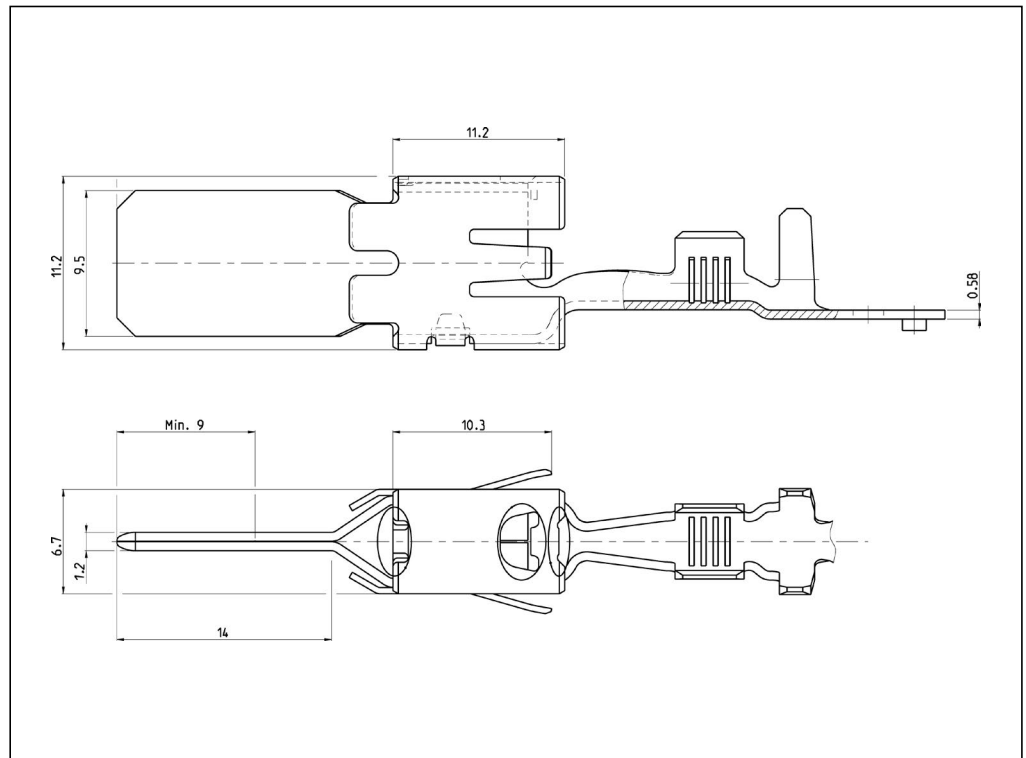
**Mating Cycles**

10 tin plated

**Contact Thickness**

1.20 x 9.50 mm

#### Contacts with Single Wire Sealing System with 9.5 mm Tab Width



**Extraction Force:**

> 6 N

**Product Group Drawing**

2287475

**Product Specification**

108-18047

**Extraction Tool**

1-1579007-7

**Application Specification**

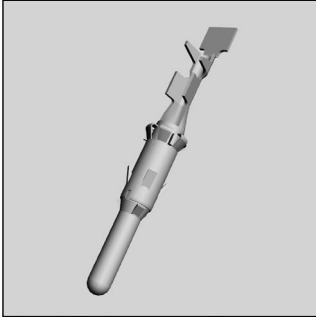
114-18076

#### Contacts with Single Wire Sealing System with 9.5 mm Tab Width

Wire Size Range (mm <sup>2</sup> )	Insulation Diameter (mm)		Material and Finish	Part Number	Applicator	Mating Receptacle Contact
	FLK	FLR				
2.5-4.0	4.0-4.5		CuSn4 - Sn	963770-1	on request	962934-1
4.0-6.0	4.7-5.3		CuSn4 - Sn	963772-1	1855594	962936-1
			CuFe2 - Sn	963772-2		
6.0-10.0	6.2-6.6		CuSn4 - Sn	963774-1	1855673	1-967590-1

## Tab Contacts for the Automotive Industry

### 1.5 and 2.5 mm Round Tab Products



#### Technical Features

##### Contact Material

CuNiSi and CuFe2

##### Contact Finish

Pre-tin plated, silver plated  
or gold plated

##### Wire Size Range

0.2 - 4.0 mm<sup>2</sup>

##### Current Carrying Capacity

Up to 40 A max at 40 °C

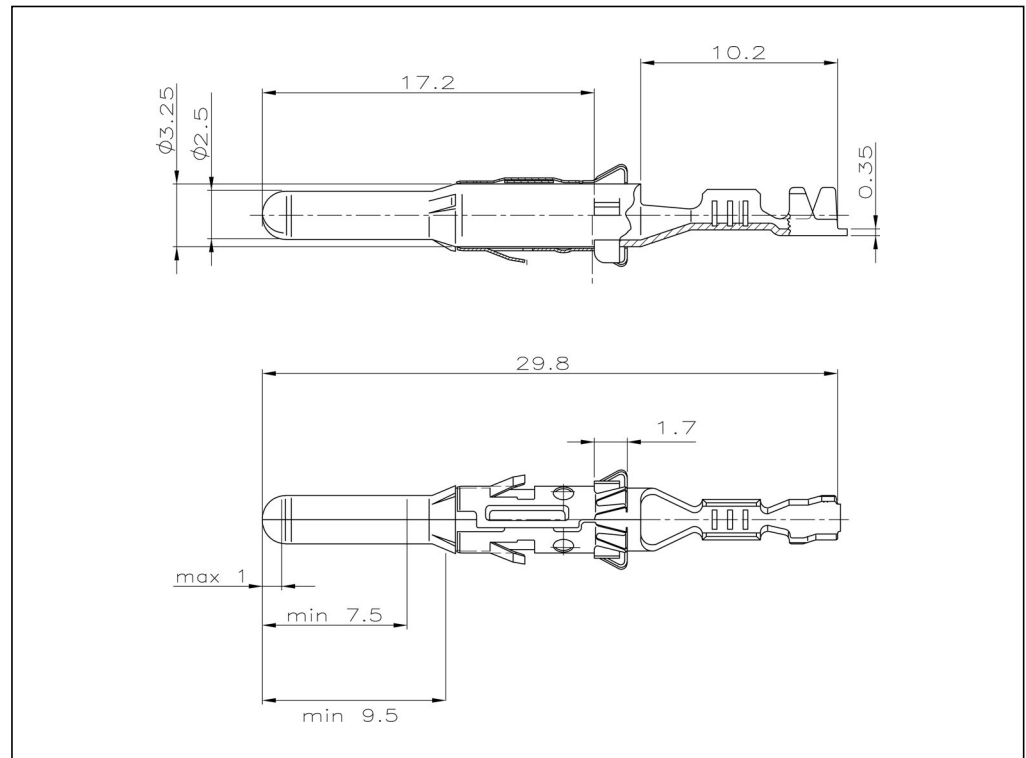
##### Temperature Range

-40 °C ... +130 °C (tin plated)  
-40 °C ... +140 °C (silver plated)  
-40 °C ... +150 °C (gold plated)

##### Mating Cycles

10 tin plated  
50 silver plated  
100 gold plated

#### Standard Contacts with 2.5 mm Round Tab



**Extraction Tool**  
1-1579007-8

**Product Group Drawing**  
1355064

**Product Specification**  
108-18027

**Application Specification**  
114-18020

#### Standard Contacts with 2.5 mm Round Tab

Wire Size Range (mm <sup>2</sup> )	Insulation Diameter (mm)		Material and Finish	Part Number	Applicator	Hand Tool or Die Set	Mating Receptacle Contact
	FLK	FLR					
0.2-0.4		1.15-1.6	CuNiSi - Sn	929962-1	2836097	2-1579024-4	929969-1
			CuNiSi - Sn	929963-1			929970-1
0.5-1.0		1.4-2.1	CuNiSi - Au	929963-8	2266254	2-1579024-5	929970-8
			CuFe2 - Au	1-929963-0			929970-7
>1.0-2.5		1.9-3.0	CuNiSi - Sn	929964-1	2266503	1579024-5	929971-1
			CuFe2 - Au	1-929964-0			929971-8
>2.5-4.0		2.7-3.6	CuNiSi - Sn	929965-1	2836098		929972-1

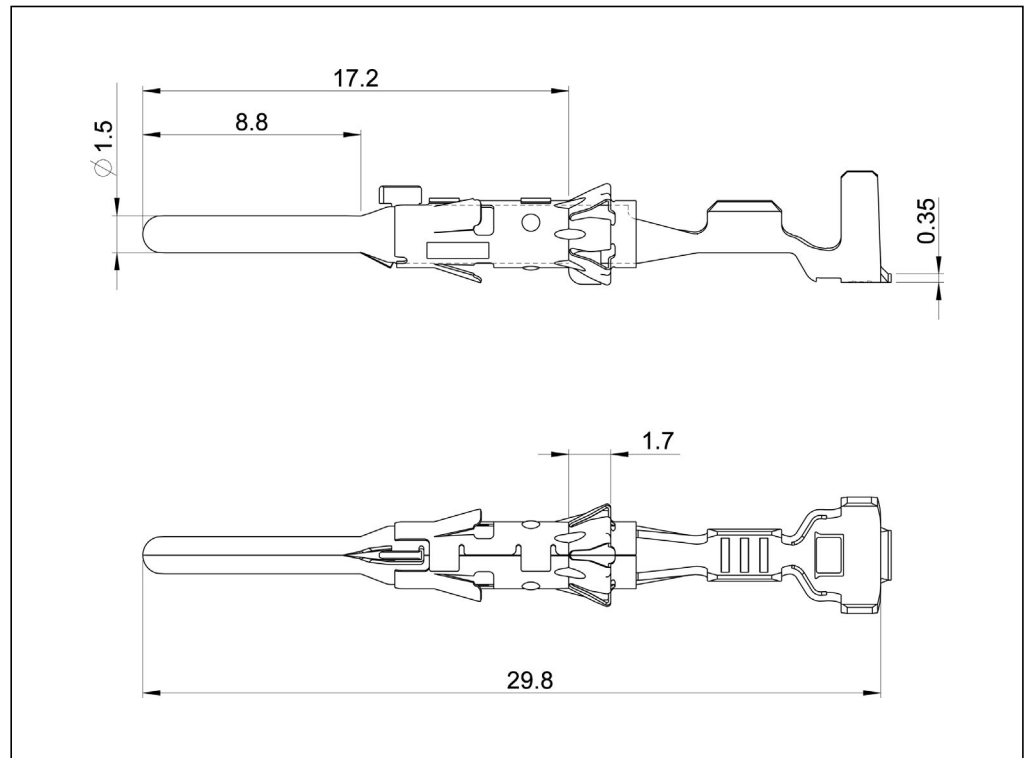


## Tab Contacts for the Automotive Industry

### 1.5 and 2.5 mm Round Tab Products



#### Contacts with Single Wire Sealing System with 1.5 mm Round Tab



#### Technical Features

**Contact Material**

CuNiSi and CuFe2

**Contact Finish**

Pre-tin plated, silver plated or gold plated

**Wire Size Range**

0.2 - 2.5 mm<sup>2</sup>

**Current Carrying Capacity**

Up to 30 A max at 40 °C

**Temperature Range**

-40 °C ... +130 °C (tin plated)  
-40 °C ... +140 °C (silver plated)  
-40 °C ... +150 °C (gold plated)

**Mating Cycles**

10 tin plated  
50 silver plated  
100 gold plated

**Extraction Tool**  
3-1579007-7

**Product Group Drawing**  
1703020

**Product Specification**  
108-18028

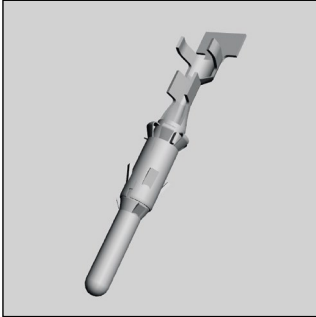
**Application Specification**  
114-18040

#### Contacts with Single Wire Sealing System with 1.5 mm Round Tab

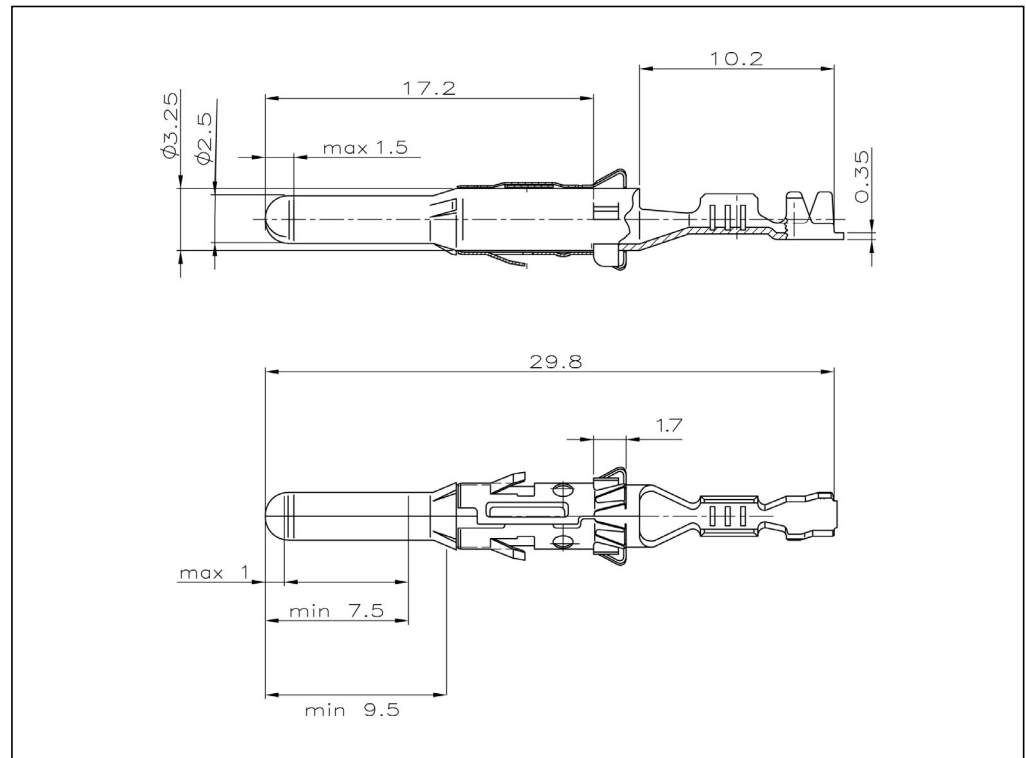
Wire Size Range (mm <sup>2</sup> )	Insulation Diameter (mm)		Material and Finish	Part Number	Applicator	Hand Tool or Die Set	Hand Tool Frame	Mating Receptacle Contact
	FLK	FLR						
0.2-0.4		1.2-2.1	CuNiSi - Sn	1703012-1	2151732	1579024-3		929988-1
			CuNiSi - Sn	1703013-1				929989-1
0.5-1.0		1.2-2.1	CuNiSi - Ag	1703013-2	2151139	1579024-3		929989-7
			CuFe2 - Sn	1703013-4				929989-4
			CuNiSi - Au	1703013-8				929989-8
>1.0-2.5		2.2-3.0	CuNiSi - Sn	1703014-1	2151345	539679-2	539635-1	929990-1

## Tab Contacts for the Automotive Industry

### 1.5 and 2.5 mm Round Tab Products



#### Contacts with Single Wire Sealing System with 2.5 mm Round Tab



#### Technical Features

##### Contact Material

CuNiSi and CuFe2

##### Contact Finish

Pre-tin plated, silver plated  
or gold plated

##### Wire Size Range

0.2 - 2.5 mm<sup>2</sup>

##### Current Carrying Capacity

Up to 40 A max at 40 °C

##### Temperature Range

-40 °C ... +130 °C (tin plated)  
-40 °C ... +140 °C (silver plated)  
-40 °C ... +150 °C (gold plated)

##### Mating Cycles

10 tin plated  
50 silver plated  
100 gold plate

**Extraction Tool**  
1-1579007-8

**Product Group Drawing**  
1355064

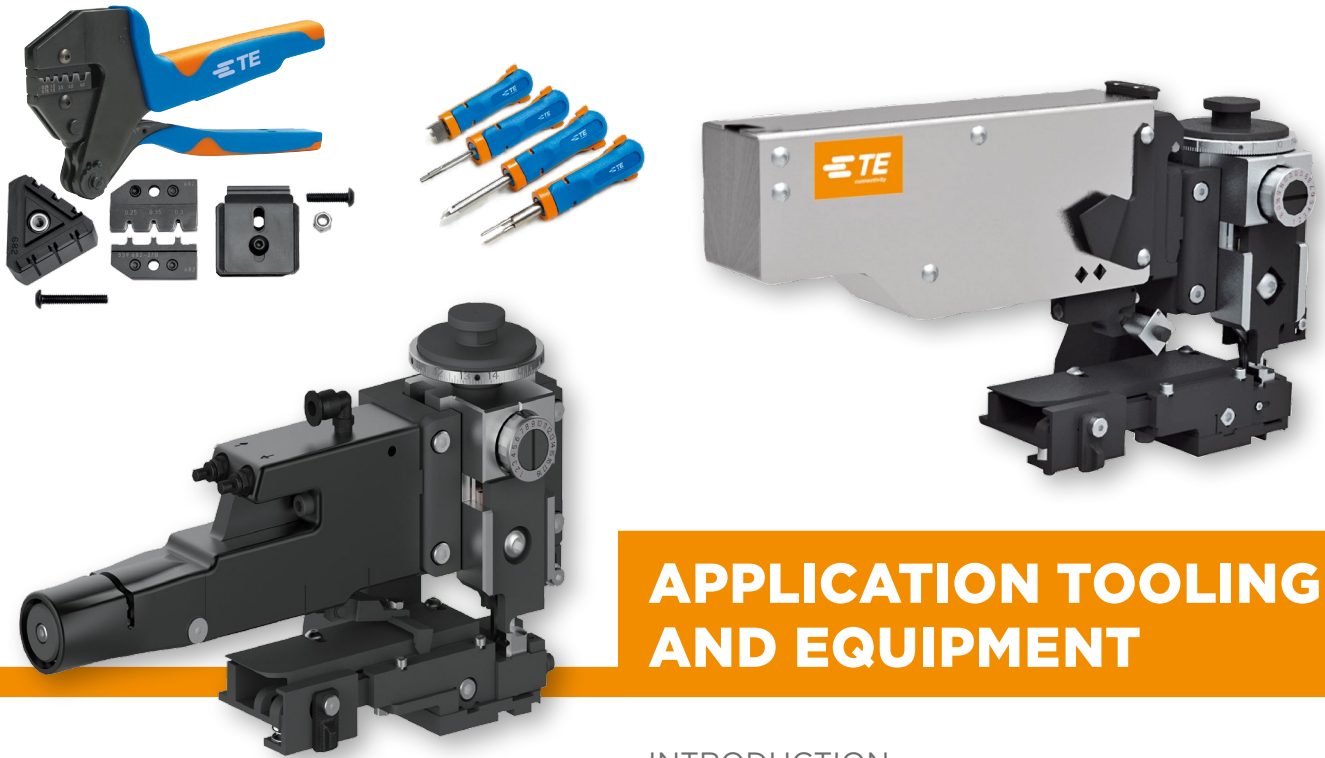
**Product Specification**  
108-18027

**Application Specification**  
114-18020

#### Contacts with Single Wire Sealing System with 2.5 mm Round Tab

Wire Size Range (mm <sup>2</sup> )	Insulation Diameter (mm)		Material and Finish	Part Number	Applicator	Hand Tool or Die Set	Hand Tool Frame	Mating Receptacle Contact
	FLK	FLR						
0.2-0.4		1.2-2.1	CuNiSi - Sn	929966-1	2151732	1579024-3		929973-1
			CuNiSi - Ag	929966-7				929973-78
0.5-1.0		1.2-2.1	CuNiSi - Sn	929967-1	2151139	1579024-3		929974-1
			CuNiSi - Ag	929967-7				929974-7
			CuNiSi - Au	929967-8				929974-8
			CuFe2 - Au	1-929967-0				1-929974-0
>1.0-2.5		2.2-3.0	CuNiSi - Sn	929968-1	2151345	539679-2	539635-1	929975-1

Images representative of tool type only.



## APPLICATION TOOLING AND EQUIPMENT

### INTRODUCTION

TE Application Tooling is dedicated to providing high quality equipment options to meet all levels of our connector products specifications. We are also able to provide a broad range of equipment for other manufacturer's products.

Our equipment range is vast and almost unmatched by others operating in the same industry segments, as is our global presence and support network in the form of field service engineers and product managers. We supply everything from simple hand tools to the most complex automated systems.

Equipment is segregated into two types and managed accordingly:

#### Generic equipment

Where we can supply you with sufficient information referenced by Part Number such that you can identify and order what you need yourself.

#### Specialised Equipment

Where you will need help from our specialist product managers to identify what's just right for your Application.

#### Finding Equipment Online

##### [www.tooling.te.com](http://www.tooling.te.com)

- Powerful searches to find generic equipment options (Hand Tools / Applicators)
- Brochures and more detailed flyers for the specialised equipment.
- It's quick, easy and more importantly the latest and most up to date information is available online.

#### Regional Assistance

##### [www.te.com/support-center](http://www.te.com/support-center)

**Numerical Index**

Part Number	Page	Part Number	Page	Part Number	Page	Part Number	Page
1-1419158-6	6	1-965982-1	16	1393364-2	6	171631-2	13
1-1438299-0	6	1-965982-3	16	1393365-1	6	171661-1	13
1-1438299-1	6	1-967590-1	27	1393365-2	6	171661-2	13
1-1452058-1	8	1-968050-1	20	1393366-1	6	171661-5	13
1-1452350-1	8	1-968849-1	14	1393366-2	6	171662-1	13
1-1703930-1	2	1-968849-1	14, 15	1393367-1	6	171662-5	13
1-1703930-2	2	1-968849-2	14, 15	1393367-2	6	1718348-1	7
1-1719504-2	17	1-968849-3	14, 15	1418762-1	7	1718348-2	7
1-1719506-3	17	1-968851-1	15	1418762-2	7	1718350-1	7
1-2141874-3	14	1-968851-2	15	1418762-3	7	1718350-2	7
1-2141876-3	16	1-968851-3	15	1418844-3	9	1718350-3	7
1-2236905-1	2	1-968853-1	15	1418850-3	9	1718758-1	9
1-2236905-3	2	1-968853-3	15	1418884-1	12	1718758-2	9
1-929963-0	28	1-968855-1	16	1418884-3	12	1718758-3	9
1-929964-0	28	1-968855-2	16, 17	1438299-1	6	1718760-1	9
1-962841-1	14	1-968855-3	16	1438299-2	6	1718760-2	9
1-962841-2	14	1-968857-1	17	1438299-3	6	1718760-3	9
1-962841-3	14	1-968857-2	17	1438299-4	6	1718762-1	9
1-962842-1	15	1-968857-3	17	1438299-7	6	1718762-2	9
1-962842-2	15	1-968859-1	17	1438299-8	6	1718762-3	9
1-962842-3	15	1-968880-1	14	1534594-1	7	1924968-1	5
1-962843-1	15	1-968880-1	14	1534594-2	7	1924968-2	5
1-962843-2	15	1-968880-2	14	1544133-1	24	1924968-3	5
1-962845-1	20	1-968880-3	14	1544218-1	24	1924968-4	5
1-962846-1	20	1-968882-1	16	1544227-1	26	1924968-5	5
1-962846-2	20	1-968882-2	16	1544332-1	26	1924968-6	5
1-962915-1	16	1-968946-1	15	1544332-2	26	1924968-7	5
1-962915-2	16	1-968946-2	15	1544333-1	26	1924968-8	5
1-962915-3	16	1-968947-1	17	1544966-2	26	2-1419158-3	6
1-962916-1	17	1241380-1	12	1544967-1	26	2-1419158-5	6
1-962916-2	17	1241380-2	12	1544967-2	26	2-1703930-1	2
1-962916-3	17	1241380-3	12	1544968-1	26	2-1703930-2	2
1-962917-1	23	1241400-1	20	1544968-2	26	2-2112966-2	23
1-962917-2	23	1241402-1	20	1544969-1	26	2-2141598-2	15
1-962918-1	23	1241402-3	20	1544969-2	26	2-2141600-2	15
1-962918-2	23	1241404-1	20	1564324-1	12	2-2141874-1	14
1-962919-1	23	1241404-1	20	1564324-2	12	2-2141876-1	16
1-962919-2	23	1241404-3	20	1564324-3	12	2-2141884-2	12
1-963734-1	20	1241406-1	20	1670144-1	7	2-2177838-1	20
1-963734-2	20	1241406-3	20	1670144-2	7	2-2177894-1	15
1-963735-1	20	1241408-1	20	1670144-3	7	2-2177895-1	15
1-963735-2	20	1241412-1	21	1670146-3	9	2-2236893-1	20
1-963736-1	20	1241414-1	21	1703012-1	29	2-962841-1	14
1-963736-2	20	1241416-1	21	1703013-1	29	2-962842-1	15
1-963860-1	14	1355553-1	8	1703013-2	29	2-962842-2	15
1-963860-2	14	1355556-1	8	1703013-4	29	2-962846-1	20
1-963860-3	14	1355717-1	3	1703013-8	29	2-962915-1	16
1-964292-3	14	1355717-5	3	1703014-1	29	2-962915-2	16
1-964294-3	15	1355719-1	3	1703278-2	12	2-962915-3	16
1-964296-3	15	1355719-2	3	1703278-5	12	2-962916-1	17
1-964298-3	16	1355950-2	15	171630-1	13	2-962916-2	17
1-964300-3	16	1355964-2	15	171630-5	13	2-962917-1	23
1-964302-3	17	1393364-1	6	171631-1	13	2-962918-1	23

**Numerical Index**

Part Number	Page	Part Number	Page	Part Number	Page	Part Number	Page
2-963734-1	20	282109-1	10	7-1452665-1	9	962932-1	25
2-963735-1	20	282109-3	10	7-1452665-2	9	962934-1	27
2-963736-1	20	282109-5	10	7-1452665-3	9	962936-1	27
2-963860-1	14	282110-1	10	7-1452668-1	9	963764-2	25
2-964269-2	12	282403-1	10	7-1452668-2	9	963766-1	25
2-964292-1	14	282404-1	10	7-1452668-3	9	963766-2	25
2-964294-1	15	282404-3	10	7-1452671-1	9	963768-1	25
2-964294-2	15	282465-1	10	7-1452671-2	9	963768-2	25
2-964296-1	15	282466-1	10	7-1452671-3	9	963770-1	27
2-964296-2	15	3-1419158-1	6	929962-1	28	963772-1	27
2-964298-1	16	345806-1	13	929963-1	28	963772-2	27
2-964300-1	16	345807-1	13	929963-8	28	963774-1	27
2-964302-1	17	345808-1	13	929964-1	28	963824-1	18
2-968946-1	15	345809-1	13	929965-1	28	963824-2	18
2-968946-2	15	5-1418758-1	7	929966-1	30	964265-5	11
2035170-1	5	5-1418758-2	7	929966-7	30	964269-2	12
2035170-2	5	5-1418758-3	7	929967-1	30	964269-3	12
2035170-5	5	5-1418760-1	7	929969-1	28	964269-5	12
2035170-6	5	5-1418760-2	7	929970-1	28	964304-1	20
2141114-3	9	5-1418760-3	7	929970-7	28	964306-1	20
2141116-3	9	5-928918-1	3	929970-8	28	964308-1	20
2141824-1	3	5-928918-2	3	929971-1	28	964310-1	23
2141824-5	3	5-928999-1	3	929971-8	28	964312-1	23
2141824-6	3	5-928999-1	3	929972-1	28	964314-1	23
2141826-1	4	5-928999-5	3	929988-1	29	968072-2	19
2141826-5	4	5-928999-6	3	929989-1	29	968073-2	19
2141826-6	4	5-962885-1	4	929989-4	29	968074-2	14
2141828-1	3	5-962885-5	4	929989-7	29	968074-5	14
2141828-2	3	5-962886-1	4	929989-8	29	968075-2	15
2141828-3	3	5-962886-2	4	929990-1	29	968075-5	15
2141830-1	4	5-963715-1	3	962880-1	17	968119-2	16
2141830-2	4	5-963715-5	3	962880-2	17	968120-2	17
2141830-3	4	5-963715-6	3	962880-3	17	968122-4	22
2141861-1	7	5-963716-1	3	962881-1	17	968131-2	19
2141861-2	7	5-963716-2	3	962881-2	17	968132-2	19
2141861-3	7	5-963716-3	3	962881-3	17	968134-2	22
2141864-1	7	5-965906-1	4	962882-1	14	968136-2	14
2141864-2	7	5-965906-5	4	962882-2	14	968136-5	14
2141864-3	7	5-965908-1	4	962883-1	15	968137-2	15
2141868-1	9	5-965908-2	4	962883-2	15	968137-5	15
2141868-2	9	6-928918-1	3	962884-1	15	968138-2	16
2141868-3	9	6-928918-2	3	962884-2	15	968139-2	17
2141882-2	11	6-928918-3	3	962903-1	18	968678-2	14
2141882-3	11	6-962915-6	16	962903-2	18	968679-2	14
2141884-2	12	7-1452653-1	7	962904-1	18	969007-1	20
2141884-3	12	7-1452653-2	7	962904-2	18	969028-2	12
2141884-5	12	7-1452653-3	7	962905-1	21	969028-3	12
2141970-1	9	7-1452656-1	7	962905-2	21	969028-5	12
2141970-2	9	7-1452656-2	7	962906-1	21		
2141970-3	9	7-1452656-3	7	962906-2	21		
2177610-3	9	7-1452659-1	7	962907-2	21		
2236905-1	2	7-1452659-2	7	962928-1	25		
2236905-3	2	7-1452659-3	7	962930-1	25		

# TE CONNECTIVITY ONLINE

[TE.com](http://TE.com) offers an enhanced digital experience, with more than 250,000 parts profiled. The site has deep, rich product data and easier access to tools and services. Other offerings include improved search and navigation and knowledge and idea sharing.



## COLLATERAL

TE.com offers a variety of product-specific catalogs, brochures, white papers and other technical information. To download our literature visit

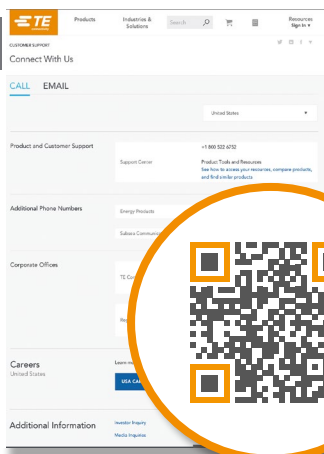
[www.te.com/automotiveliterature.html](http://www.te.com/automotiveliterature.html)



## PRODUCT INFORMATION

Search for a specific product by category, part number or document number.

[www.TE.com](http://www.TE.com)



## STAY CONNECTED

You can rely on TE's PIC Team to answer your general or technical questions. To contact a PIC representative, visit

[www.TE.com/support-center](http://www.TE.com/support-center)

## EUROPE

### Germany

Product Information Center:  
Phone: +800 0440-5100  
Fax: +49 6251-133-1988

## UNITED STATES

### United States - Harrisburg

Product Information Center:  
Phone: +1 800-522-6752  
Fax: +1 717-986-7575

## SOUTH AMERICA

### South America

Phone: +54 11-4733-2015  
Fax: +54 11-4733-2083

## AFRICA

### South Africa - Port Elizabeth

Phone: +27 41-503-4500  
Fax: +27 41-581-0440

## ASIA/PACIFIC

### Australia - Sydney

Product Information Center:  
Phone: +61 2-9840-8200  
Fax: +61 2-9634-6188

### People's Republic of China

Hong Kong  
Phone: +852 2738-8731  
Fax: +852 2735-0243

### People's Republic of China

Shanghai  
Phone: +86 21-3398-0000  
Fax: +86 21-3398-1999

### Korea - Seoul

Phone: +82 2-3415-4500  
Fax: +82 2-3486-3810

## DISCLAIMER

While TE Connectivity (TE) has made every reasonable effort to ensure the accuracy of the information in this catalog, TE does not guarantee that it is error-free, nor does TE make any other representation, warranty or guarantee that the information is accurate, correct, reliable or current. TE reserves the right to make any adjustments to the information contained herein at any time without notice.

TE expressly disclaims all implied warranties regarding the information contained herein, including, but not limited to, any implied warranties of merchantability or fitness for a particular purpose. The dimensions in this catalog are for reference purposes only and are subject to change without notice. Specifications are subject to change without notice. Consult TE for the latest dimensions and design specifications.

## TRADEMARKS

AMP MCP, MCON, TE, TE Connectivity, TE connectivity (logo), and EVERY CONNECTION COUNTS are trademarks. ACOME is a trademark.

Other product names, logos, and company names mentioned herein may be trademarks of their respective owners.

## COPYRIGHT

© 2016 TE Connectivity family of companies.

All rights reserved.

TE Connectivity Germany GmbH certified acc. ISO 14001 and ISO/TS 16949:2002

### TE Connectivity Germany GmbH

Ampèrestrasse 12-14 | 64625 Bensheim | Germany

Phone: +49 (0)6251 133-0

Fax: +49 (0)6251 133-1600

